



METAL PACKAGE AT CUT SURFACE MOUNT CRYSTALS

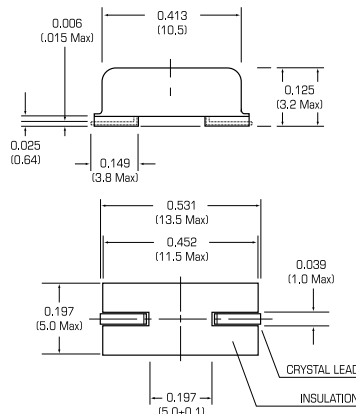
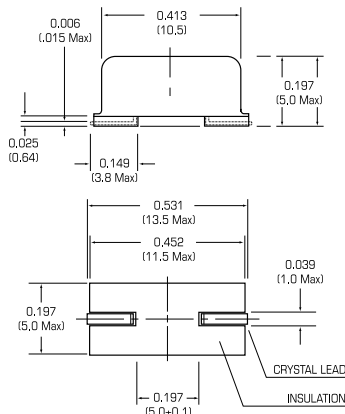
**MODEL SM3 & SM3 w/ Height Option
HC-49/S (Low Profile)**

Model	SM3 and SM3 w/ Height Option / HC-49/S Low Profile
Frequency Range	3.5MHz ~ 75.00 MHz
Oscillation Mode	3.5MHz ~ 24.0MHz (Fundamental) 24.1MHz ~ 75.0MHz (3rd Overtone)
Frequency Tolerance @ 25°C	± 50ppm Standard, Optional Tolerances Available
Frequency Stability	± 100ppm 0°C ~ +70°C Standard, Optional Tolerances Available
Operating Temperature Range	0°C ~ +70°C Extended Temperatures Ranges Available
Storage Temperature Range	-40°C ~ +85°C
Equivalent Series Resistance	3.5 MHz ~ 4.09 MHz : 150Ω Max. FUND MODE 4.1 MHz ~ 4.79 MHz : 120Ω Max. FUND MODE 4.8 MHz ~ 5.79 MHz : 100Ω Max. FUND MODE 5.8 MHz ~ 11.99 MHz : 90Ω Max. FUND MODE 12.0 MHz ~ 14.29 MHz : 70Ω Max. FUND MODE 14.3 MHz ~ 24.00 MHz : 50Ω Max. FUND MODE 24.1 MHz ~ 48.00 MHz : 80Ω Max. 3RD OVERTONE 48.1 MHz ~ 75.00 MHz : 60Ω Max. 3RD OVERTONE
Load Capacitance	Series, 16, 20, 30pF Custom C _L Available
Shunt Capacitance	7.0pF Max
Drive Level	0.01 ~ 2000μ Watts 100μ Watts Correlation
Aging	> 5ppm per year
Reflow Soldering Condition	10 Seconds Max at +235°C ±5°C

DIMENSIONS Inches (mm)

SM3 with Height Option

SM3

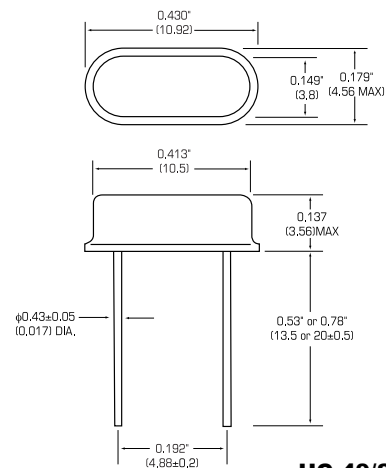
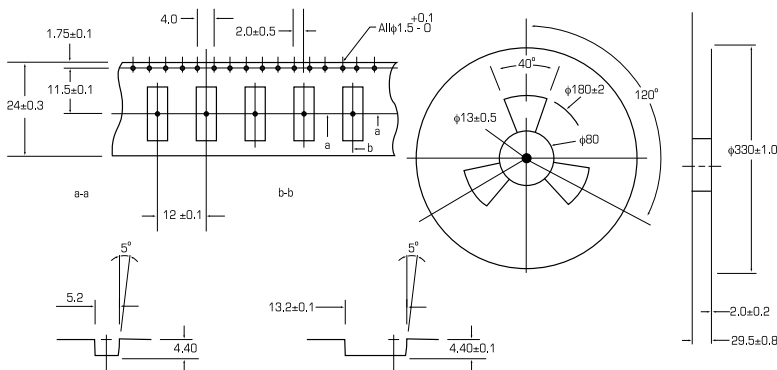


HC-49/S Height Options

Standard :	5.08 Max
Z :	3.56 Max
Z :	2.5 Max

SM3 Tape & Reel

Dimensions in mm only



HC-49/S