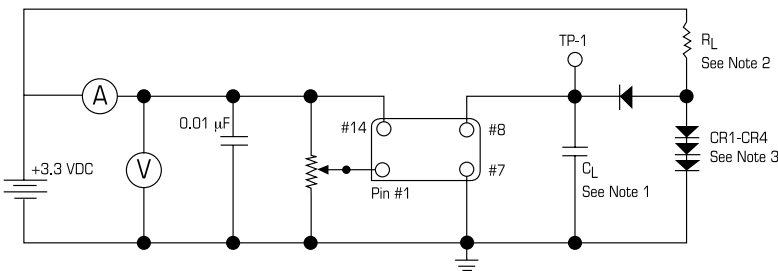
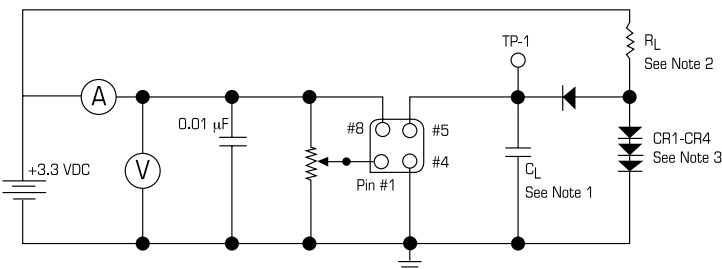


**MODEL CY
3.3VDC**

Model	CY Half Size	CY Full Size	CY Full Size
Frequency Range	1.25MHz ~ 65.0MHz	1.25MHz ~ 65.0MHz	65.0MHz ~ 160.0MHz
Frequency Stability	100ppm Standard, Optional Tolerances Available	100ppm Standard, Optional Tolerances Available	100ppm Standard, Optional Tolerances Available
Operating Temperature Range	0°C ~+70°C Extended Temperature Ranges Available	0°C ~+70°C Extended Temperature Ranges Available	0°C ~+70°C Extended Temperature Ranges Available
Storage Temperature Range	-55°C ~+125°C	-55°C ~+125°C	-55°C ~+125°C
Current Consumption	1.25KHz ~ 28.000MHz: 15mA Max 28.000MHz ~ 65.000MHz: 30mA Max	1.25KHz ~ 28.000MHz: 15mA Max 28.000MHz ~ 65.000MHz: 30mA Max	65.0MHz ~ 99.999MHz: 30mA Max 100.00MHz ~ 129.9MHz: 35mA Max 130.00MHz ~ 160.00MHz: 40mA Max
Supply Voltage	+3.3 VDC ± 10%	+3.3 VDC ± 10%	+3.3 VDC ± 10%
Symmetry	60/40 @ 50% Vcc, Optional Tolerances Available	60/40 @ 50% Vcc, Optional Tolerances Available	60/40 @ 50% Vcc, Optional Tolerances Available
Rise & Fall Time (Tr & Tf)	6 nSec Max	6 nSec Max	3 nSec Max
Logic "1"	3.0 VDC Min	3.0 VDC Min	3.0 VDC Min
Logic "0"	0.5 VDC Max	0.5 VDC Max	0.5 VDC Max
Output Load (Max)	10TTL / 20pF	10TTL / 20pF	2TTL / 20pF
Aging	< 5ppm per year	< 5ppm per year	< 5ppm per year
Frequency Control Voltage	1.65 VDC	1.65 VDC	1.65 VDC
Pullability	± 50ppm Standard, Optional Pullability up ±500ppm Available	± 50ppm Standard, Optional Pullability up ±500ppm Available	± 50ppm Standard, Optional Pullability Available



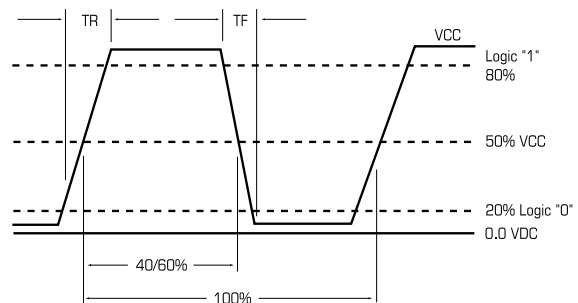
TEST CIRCUIT FULL SIZE



TEST CIRCUIT HALF SIZE

FULL SIZE VCXO	
PINS	CONNECTIONS
1	CONTROL VOLTAGE
7	GND
8	OUTPUT
14	+3.3 VDC +10%

HALF SIZE VCXO	
PINS	CONNECTIONS
1	CONTROL VOLTAGE
4	GND
5	OUTPUT
8	+3.3 VDC +10%



NOTE:

1. C_L Capacitance includes probe and test jig 20pF typical (10kHz ~ 69.999MHz)
 C_L Capacitance includes probe and test jig 15pF typical (70MHz ~ 160.000MHz)
2. $R_L = 400\Omega - 10$ TTL
 $2k\Omega - 10$ LSTTL
3. All diodes are 1N941, 1N43064 or equivalent