

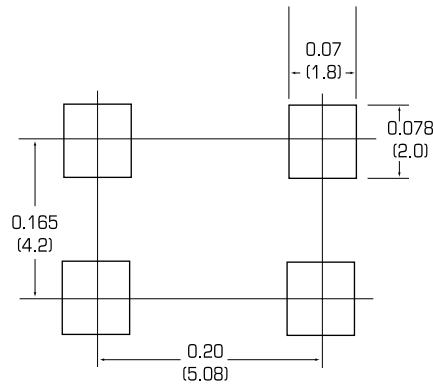
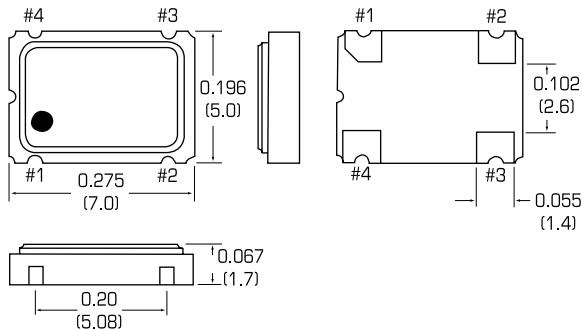


## CERAMIC SURFACE MOUNT OSCILLATORS

**MODEL CS 3.3VDC**  
**CI 5.0VDC**

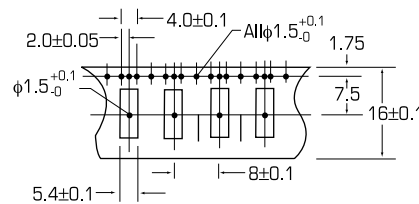
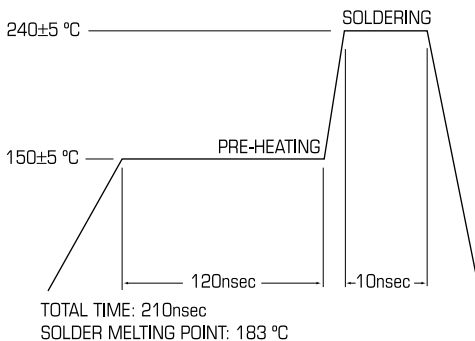
Model	CS	CI
Frequency Range	1.500MHz ~ 80.000MHz	1.500MHz ~ 80.000MHz
Frequency Stability	100ppm Standard, Optional Tolerances Available	100ppm Standard, Optional Tolerances Available
Operating Temperature Range	0°C ~ +70°C, Extended Temperature Ranges Available	0°C ~ +70°C, Extended Temperature Ranges Available
Storage Temperature Range	-55°C ~ +125°C	-55°C ~ +125°C
Current Consumption	8mA ~ 25mA	10mA ~ 80mA
Supply Voltage	+ 3.3VDC + 10%	+ 5.0VDC + 10%
Symmetry	60/40 @ 50% Vcc Optional Tolerances Available	60/40 @ 50% Optional Tolerances Available
Rise & Fall Time (Tr, Tf)	10nSec Max	10nSec Max
Logic "1"	4.5VDC Min	4.5VDC Min
Logic "0"	0.5VDC Max	0.5VDC Max
Output Load	1 to 10 TTL / 15pF	1 to 10 TTL / 15pF
Aging	< 5ppm per year	< 5ppm per year
Enable Input (optional)	Enable - Logic "1" 2.0VDC Min Disable - Logic "0" 0.5VDC Max	Enable - Logic "1" 2.0VDC Min Disable - Logic "0" 0.5VDC Max
Reflow Condition	+240°C ± 5°C for 10 seconds 150°C ± 10°C for 1 to 2 minutes (preheating)	

### DIMENSIONS Inches (mm)



CS Ceramic SMD	
#1	N.C. or E/D (TriState)
#2	GND
#3	OUTPUT
#4	3.3VDC ± 10%

CI Ceramic SMD	
#1	N.C. or E/D (TriState)
#2	GND
#3	OUTPUT
#4	5VDC ± 10%



500 pcs. per reel  
(178 mm dia.)