

- ISM Band Application
- Smart Meters
- Useable Passband 82Mhz

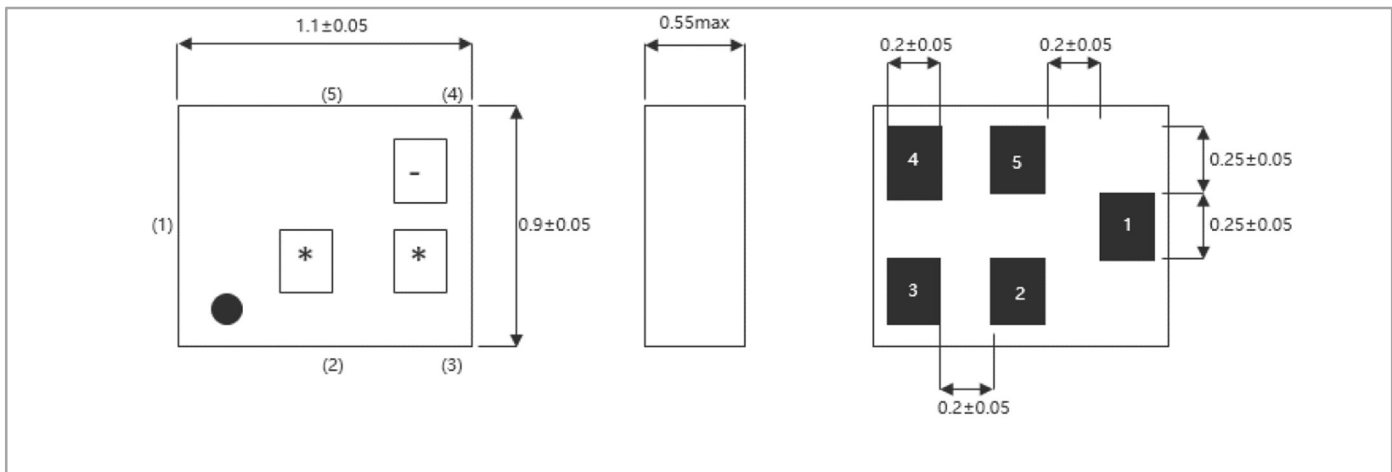
Electrical Characteristics

MAXIMUM RATING				
PARAMETERS DESCRIPTION	UNIT	MINIMUM	TYPICAL	MAXIMUM
Operating Temperature Range	°C	-20	-	+85
Storage Temperature Range	°C	-40	-	+85
DC Voltage	V	-	-	3
Input Power	dBm	-	-	26
Source Impedance	Ω	-	50	-
Load Impedance	Ω	-	50	-
Package type & size	C			
Length x Width	mm ²	-	1.1 x 0.9	1.15 x 0.95
Height	mm	-	-	0.55
Moisture Sensitivity Levels			3	

ELECTRICAL SPECIFICATION @25°C				
PARAMETERS DESCRIPTION	UNIT	MINIMUM	TYPICAL	MAXIMUM
Center Frequency (Fo)	MHz	-	2442.0	-
Insertion Loss				
2401.00 ~ 2423.00 MHz	dB		1.2	1.5
2406.00 ~ 2478.00 MHz	dB		1.1	1.4
2461.00 ~ 2483.00 MHz	dB		1.1	1.7
Inband Ripple within 2401.00 ~ 2483.00 MHz	dB	-	1.6	2.1
Input VSWR within 2401.00 ~ 2483.00 MHz	dB	-	1.6	2.0
Output VSWR within 2401.00 ~ 2483.00 MHz	dB	-	1.6	2.0
Absolute Attenuation:				

10.00 ~ 1559.00 MHz	dB	35	42	-
1559.00 ~ 1606.00 MHz	dB	35	42	-
1710.00 ~ 1785.00 MHz	dB	33	41	-
1805.00 ~ 1880.00 MHz	dB	33	42	-
1850.00 ~ 1995.00 MHz	dB	35	42	-
2110.00 ~ 2200.00 MHz	dB	35	48	-
2300.00 ~ 2350.00 MHz	dB	40	46	-
2350.00 ~ 2370.00 MHz	dB	40	47	-
2372.50 ~ 2377.50 MHz	dB	12	19	-
2382.50 ~ 2387.50 MHz	dB	3	5	-
2496.00 ~ 2501.00 MHz	dB	15	34	-
2500.00 ~ 2505.00 MHz	dB	43	54	-
2505.00 ~ 2570.00 MHz	dB	36	48	-
2555.00 ~ 2655.00 MHz	dB	35	44	-
2620.00 ~ 2690.00 MHz	dB	35	44	-
3300.00 ~ 5000.00 MHz	dB	30	37	-
4800.00 ~ 5000.00 MHz	dB	35	41	-
5150.00 ~ 5925.00 MHz	dB	35	40	-

Package Dimensions



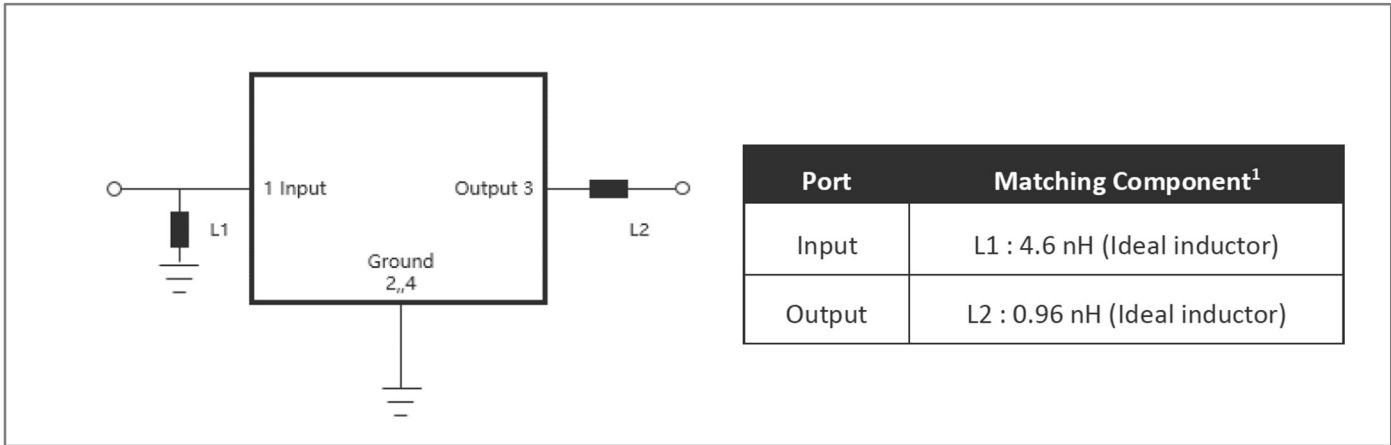
The diagram shows three views of the package: a top view with dimensions 1.1±0.05 mm (width) and 0.9±0.05 mm (height), a side view with a maximum height of 0.55 mm, and a pin configuration view showing five pins with a pitch of 0.2±0.05 mm. Pin 1 is the input, pin 4 is the output, and pins 2, 3, and 5 are ground connections.

Marking Description	
-	Band Code
**	Date Code

Pin Configuration	
1	Input
4	Output
Others	Ground

Unit: mm

Testing Environment



Frequency Characteristics

