

- RF SAW Filter
- Bluetooth

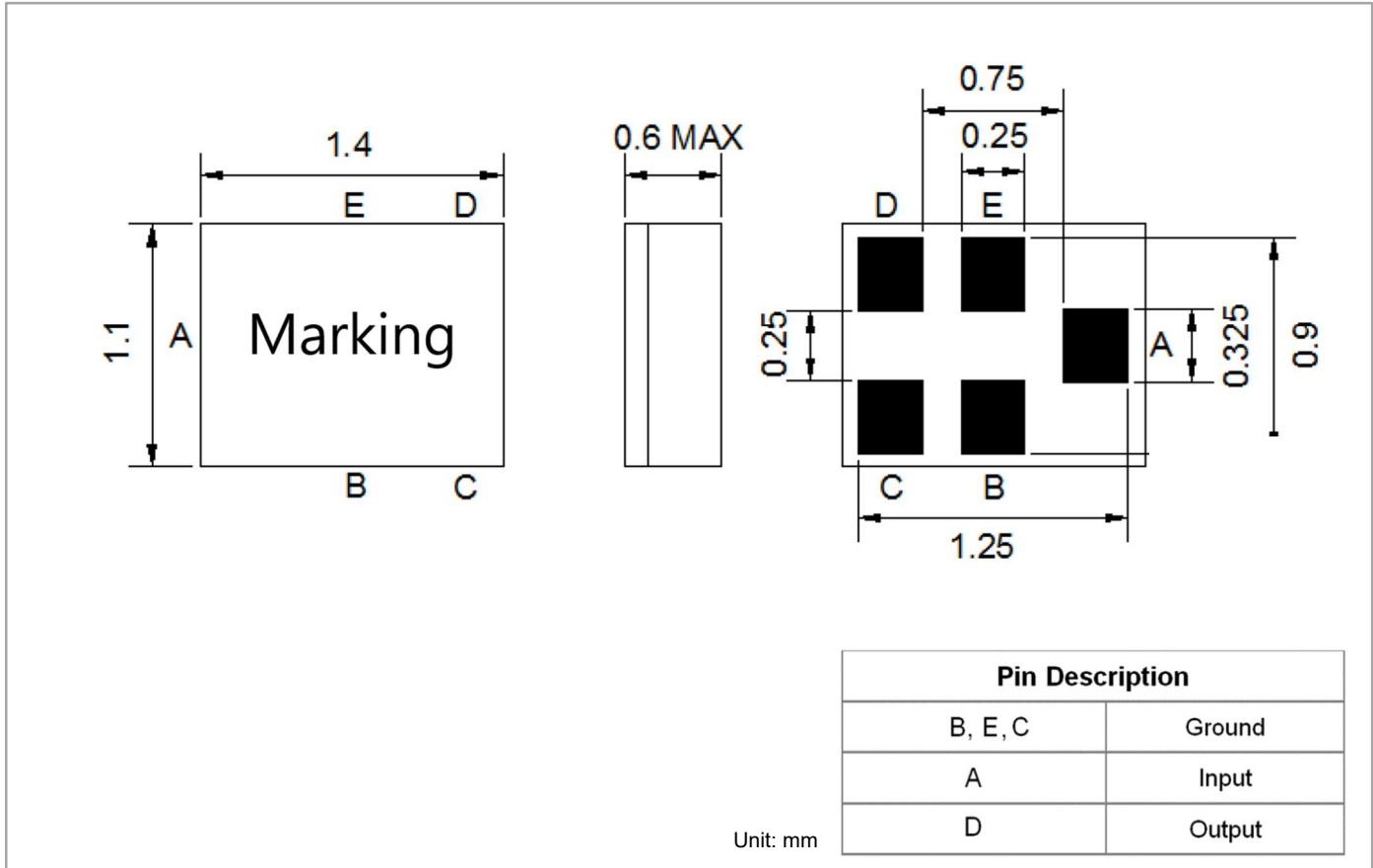
Electrical Characteristics

MAXIMUM RATING				
PARAMETERS DESCRIPTION	UNIT	MINIMUM	TYPICAL	MAXIMUM
Operating Temperature Range	°C	-30	-	+85
Storage Temperature Range	°C	-40	-	+85
Input Power	dBm	-	-	26
Source Impedance ⁽¹⁾	Ω	-	50	-
Load Impedance ⁽¹⁾	Ω	-	50	-
Package type & size	Q			
Length x Width	mm ²	-	1.4 x 1.1	-
Height	mm	-	-	0.6

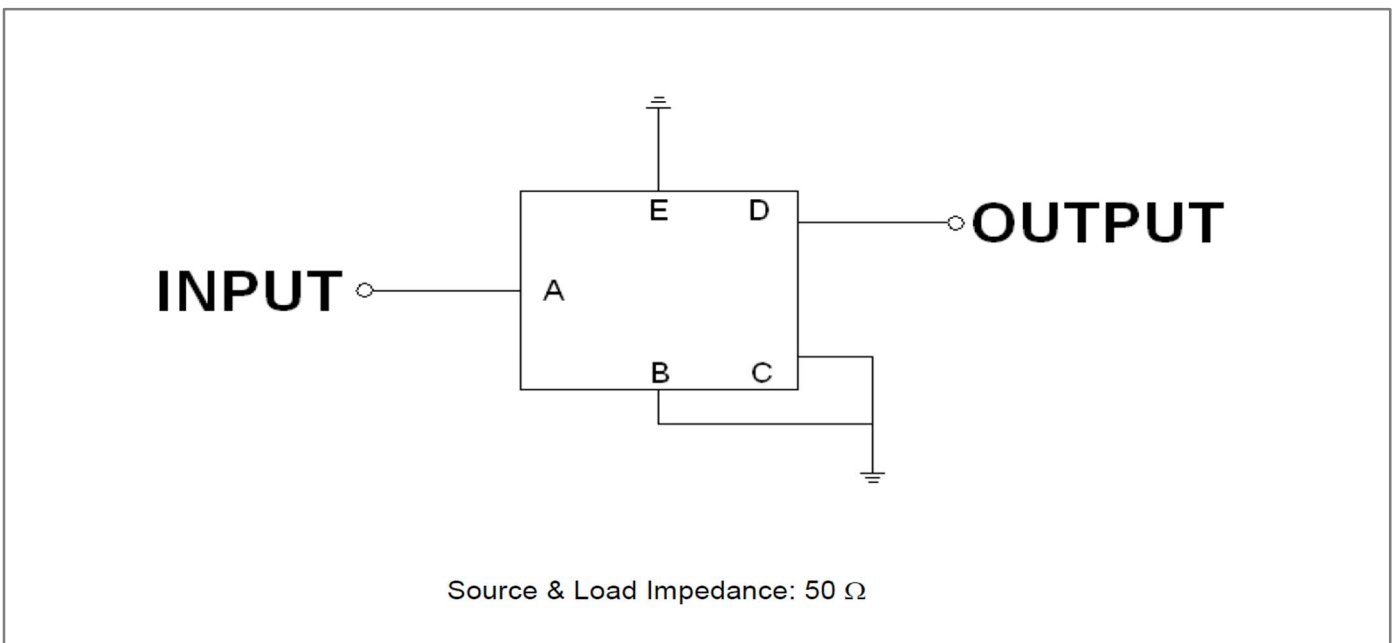
ELECTRICAL SPECIFICATION				
PARAMETERS DESCRIPTION	UNIT	MINIMUM	TYPICAL	MAXIMUM
Center Frequency (Fo)	MHz	-	2441.80	-
Insertion Loss within 2400.00 ~ 2483.50 MHz	dB	-	1.8	2.2
Amplitude Ripple within 2400.00 ~ 2483.50 MHz	dB	-	1.5	2.0
Attenuation:				
DC ~1700.00 MHz	dB	20	23	-
1700.00 ~ 2200.00 MHz	dB	20	23	-
2700.00 ~ 3100.00 MHz	dB	20	26	-
3100.00 ~ 4000.00 MHz	dB	23	27	-
4000.00 ~ 6000.00 MHz	dB	20	28	-
VSWR within 2400.00 ~ 2483.50 MHz		-	1.9	2.3

Notes: (1) No Matching Network (Ref. **Testing Environment** Circuit as shown page 2).

Package Dimensions



Testing Environment



Frequency Characteristics

Frequency Response

