

- Bluetooth, RF SAW Filter
- Revision 0: April 2013

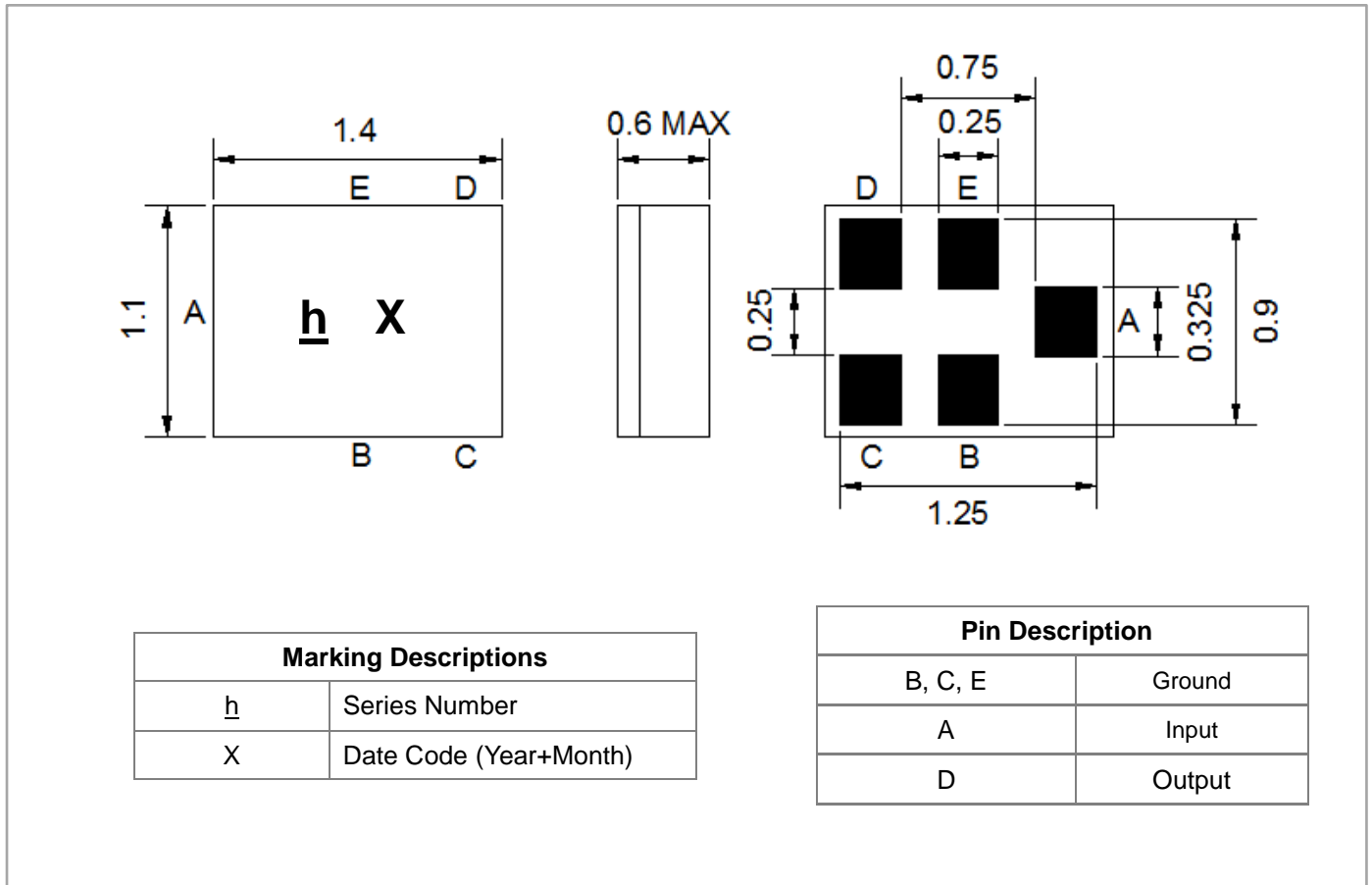
Electrical Characteristics

MAXIMUM RATING				
PARAMETERS DESCRIPTION	UNIT	MINIMUM	TYPICAL	MAXIMUM
Operating Temperature Range	°C	-30	-	+85
Storage Temperature Range	°C	-40	-	+85
Maximum DC Voltage	V	-	-	-
Maximum Input Power	dBm	-	-	10
Source Impedance (single ended) ⁽¹⁾	Ω	-	50	-
Load Impedance (single ended) ⁽¹⁾	Ω	-	50	-
Package type & size	C23			
Length x Width	mm ²	-	1.4 x 1.1	-
Height	mm	-	-	0.6

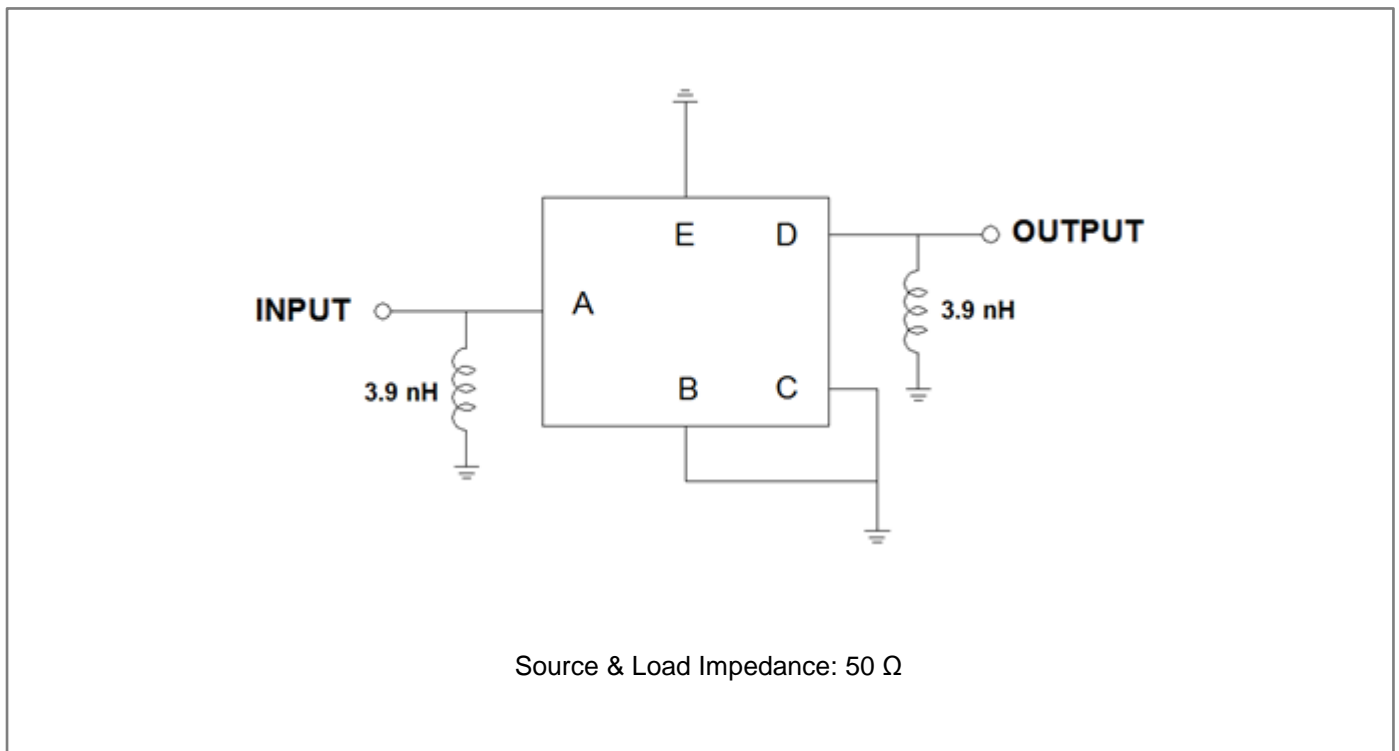
ELECTRICAL SPECIFICATION				
PARAMETERS DESCRIPTION	UNIT	MINIMUM	TYPICAL	MAXIMUM
Center Frequency (Fo)	MHz	-	2441.8	-
Insertion Loss within 2400.0 ~ 2483.5 MHz	dB	-	2.4	3.0
Amplitude Ripple within 2400.0 ~ 2483.5 MHz	dB _{p-p}	-	1.0	1.5
Attenuation:				
0.1 ~ 960.0 MHz	dB	35	39	-
1570.0 ~ 1990.0 MHz	dB	25	31	-
2110.0 ~ 2170.0 MHz	dB	25	30	-
2170.0 ~ 2300.0 MHz	dB	18	22	-
2300.0 ~ 2320.0 MHz	dB	20	25	-
2320.0 ~ 2345.0 MHz	dB	20	27	-
2345.0 ~ 2365.0 MHz	dB	10	16	-
2550.0 ~ 2800.0 MHz	dB	10	15	-
2800.0 ~ 4000.0 MHz	dB	20	24	-
4000.0 ~ 5000.0 MHz	dB	15	22	-
5000.0 ~ 6000.0 MHz	dB	15	21	-
VSWR within 2400.0 ~ 2483.5 MHz	-	-	1.7	2.2

Notes: (1) No Matching Network (Ref. Testing Environment Circuit as shown below).

Package Dimensions

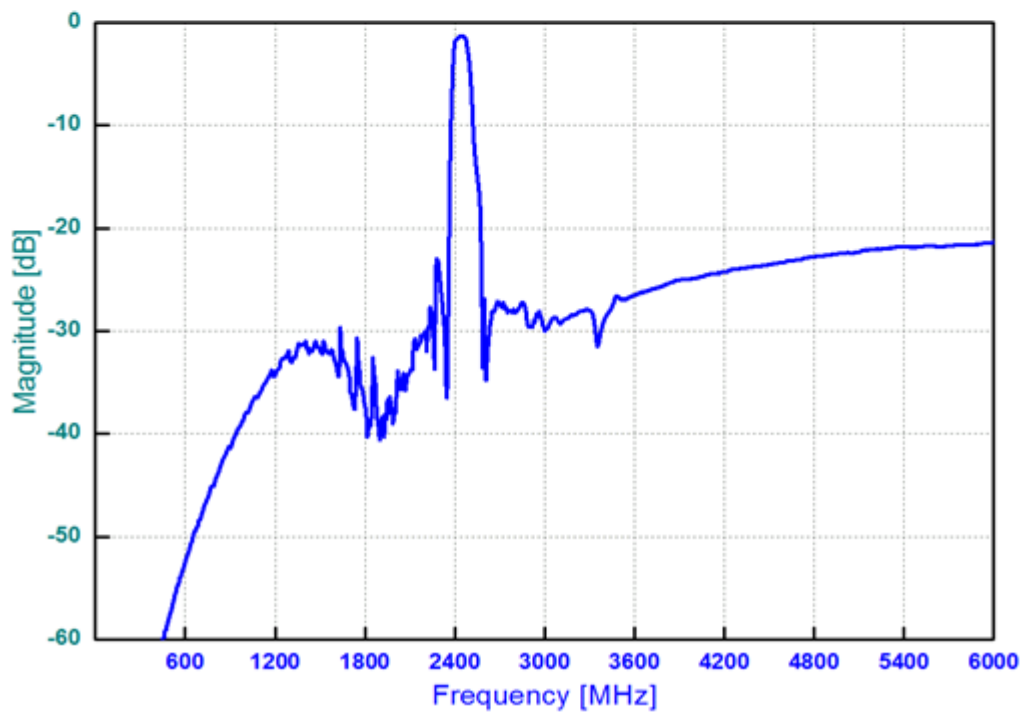
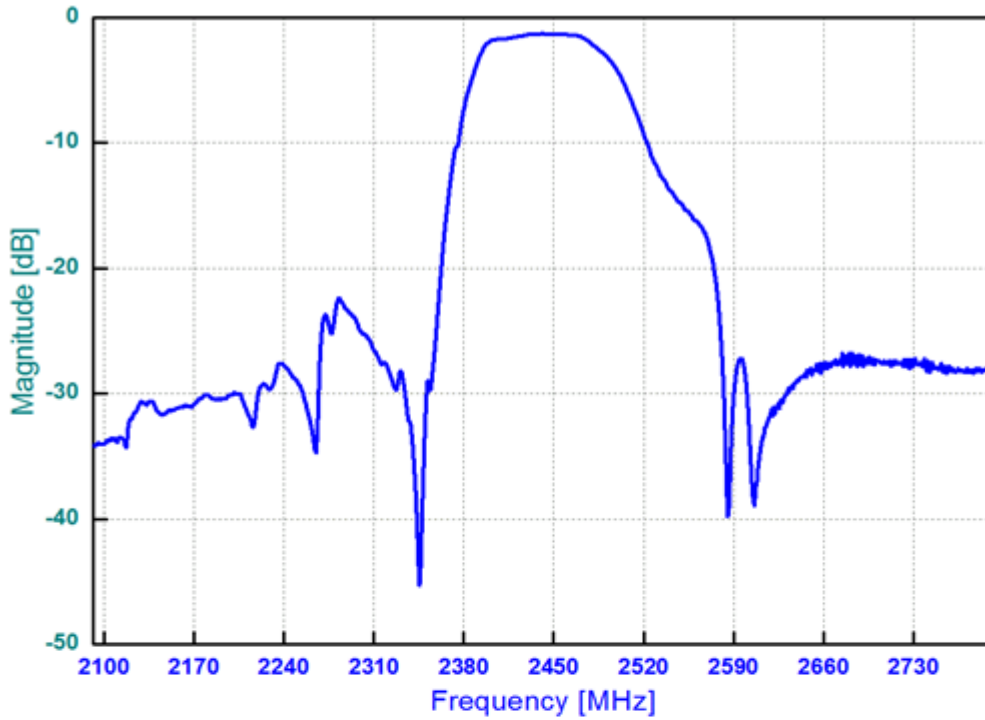


Testing Environment

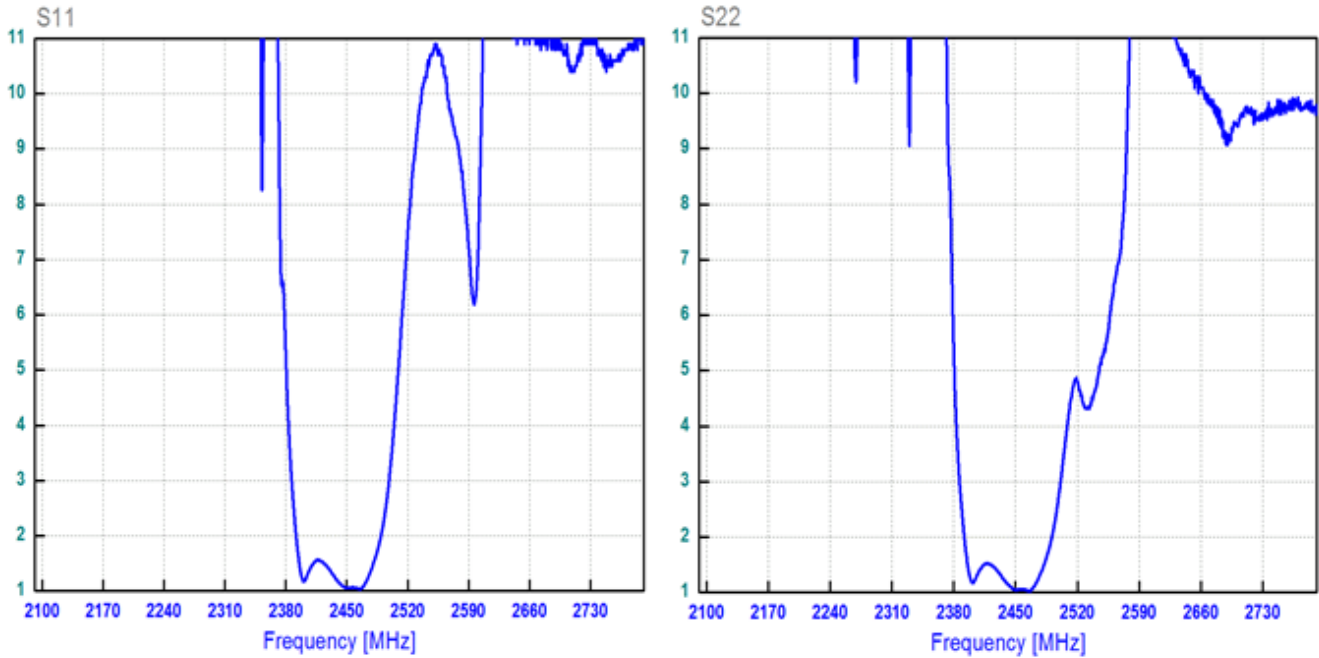


Frequency Characteristics

Frequency Response



VSWR



Smith Chart

