

- Wireless, RF SAW Filter
- Revision 0: August 2012

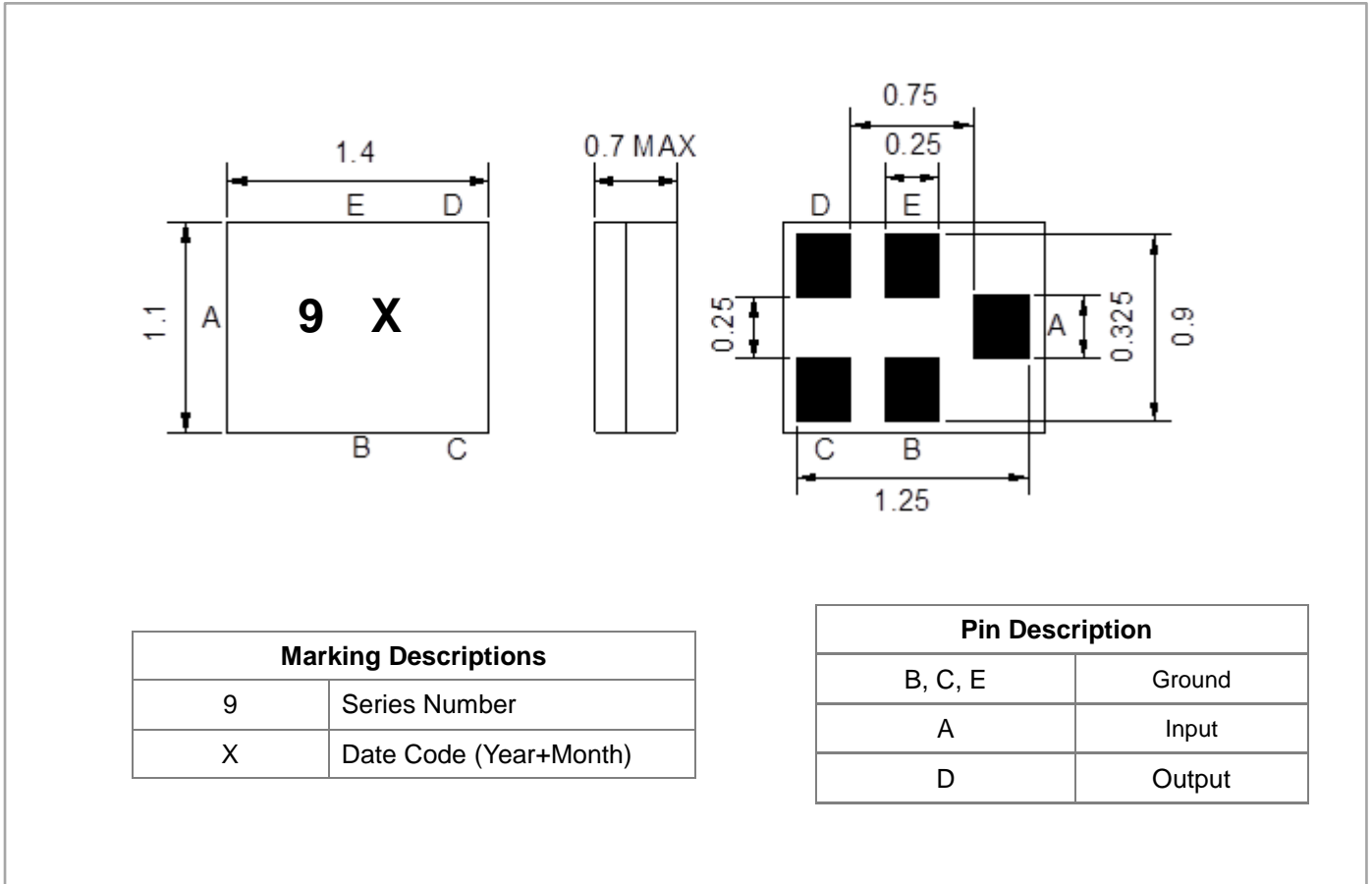
### Electrical Characteristics

MAXIMUM RATING				
PARAMETERS DESCRIPTION	UNIT	MINIMUM	TYPICAL	MAXIMUM
Operating Temperature Range	°C	-30	-	+85
Storage Temperature Range	°C	-40	-	+85
Maximum DC Voltage	V	-	-	5
Maximum Input Power	dBm	-	-	10
Source Impedance (single ended)	Ω	-	50	-
Load Impedance (single ended)	Ω	-	50	-
Package type & size	C21			
Length x Width	mm <sup>2</sup>	-	1.4 x 1.1	-
Height	mm	-	-	0.7

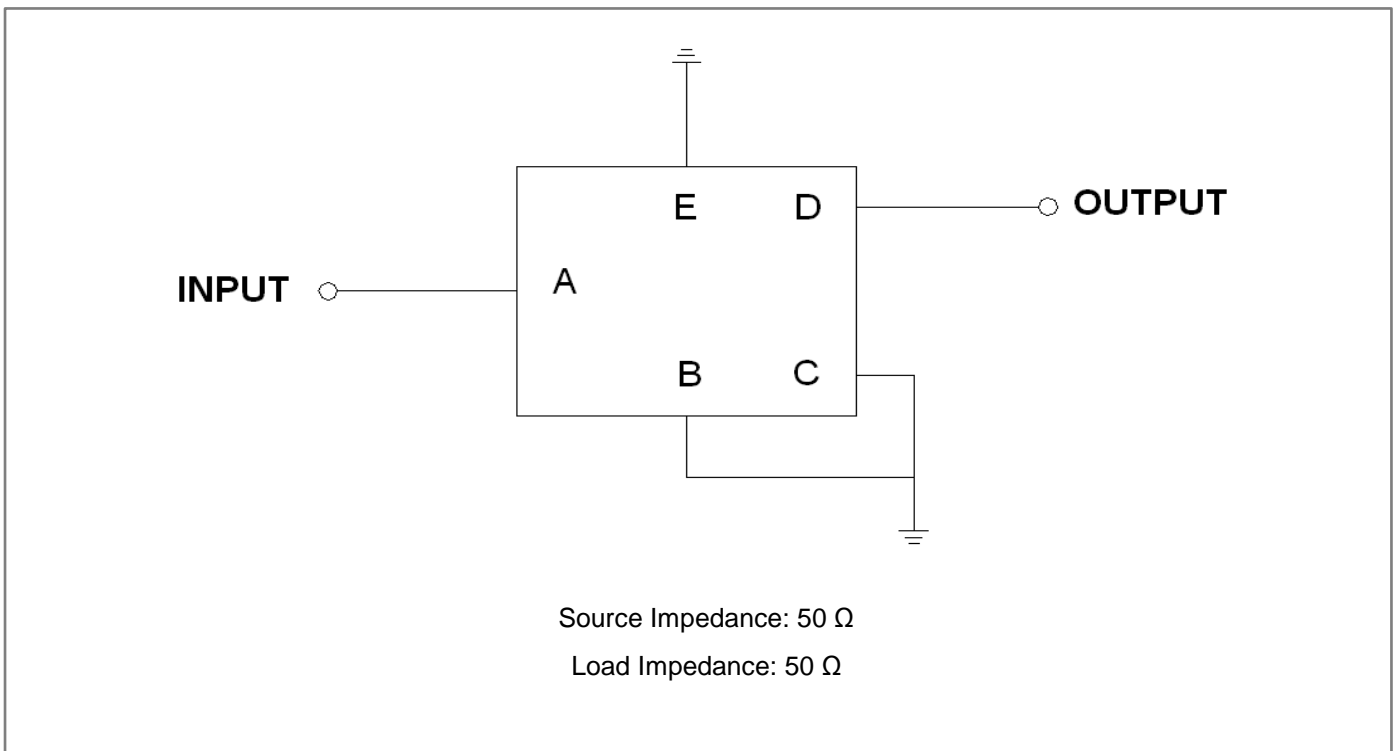
ELECTRICAL SPECIFICATION				
PARAMETERS DESCRIPTION	UNIT	MINIMUM	TYPICAL	MAXIMUM
Center Frequency (Fo)	MHz	-	2338.755	-
Insertion Loss within 2332.5 ~ 2345.0 MHz	dB	-	2.6	3.5
Amplitude Ripple within 2332.5 ~ 2345.0 MHz	dB <sub>p-p</sub>	-	0.4	1.6
Group Delay within 2332.5 ~ 2345.0 MHz	ns <sub>p-p</sub>	-	4	15
Attenuation: (Reference from 0 dB)				
88.0 ~ 108.0 MHz	dB	50	73	-
880.0 ~ 960.0 MHz	dB	35	54	-
1710.0 ~ 1990.0 MHz	dB	32	45	-
2450.0 MHz	dB	23	47	-
3060.0 MHz	dB	30	44	-
Return Loss within 2332.5 ~ 2345.0 MHz	dB	10	13	-

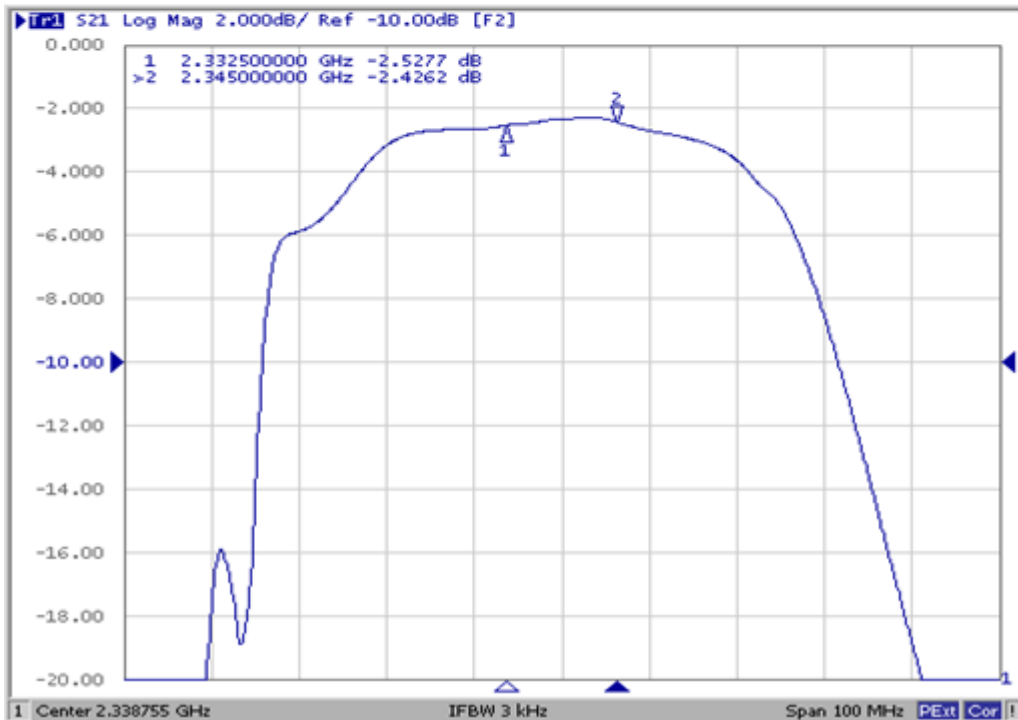
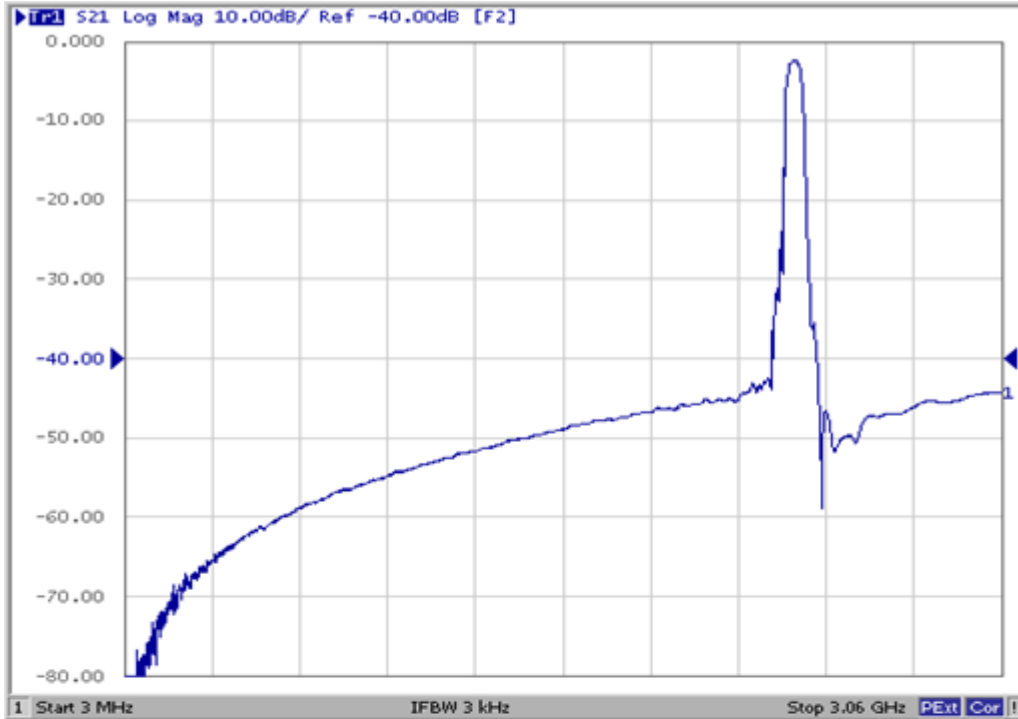
**Notes:** (1) No Matching Network (Ref. Testing Environment Circuit as shown below).

## Package Dimensions

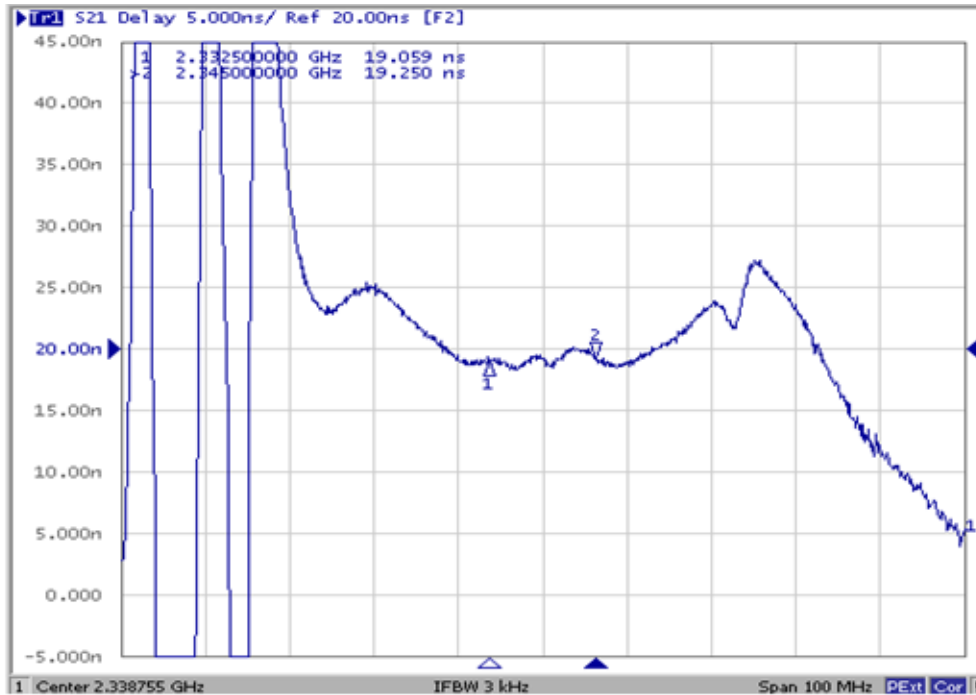


## Testing Environment



**Frequency Characteristics****Frequency Response**

**Group Delay**



**Return Loss**

