

- Low-loss RF SAW Filter For Mobile Systems
- Low Amplitude Ripple
- Revision 2: Dec 22, 2020

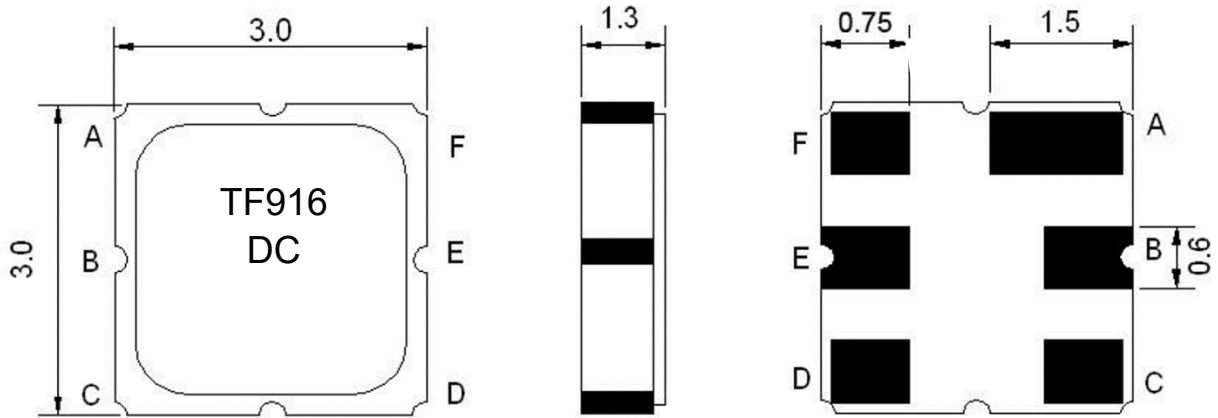
Electrical Characteristics

MAXIMUM RATING				
PARAMETERS DESCRIPTION	UNIT	MINIMUM	TYPICAL	MAXIMUM
Operating Temperature Range	°C	-40	-	+85
Storage Temperature Range	°C	-40	-	+85
DC Voltage	V	-	-	12
Input Power	dBm	-	-	10
Source Impedance ⁽¹⁾	Ω	-	50	-
Load Impedance ⁽¹⁾	Ω	-	50	-
Package type & size	M			
Length x Width	mm ²	-	3.0 x 3.0	-
Height	mm	-	1.3	-

ELECTRICAL SPECIFICATION				
PARAMETERS DESCRIPTION	UNIT	MINIMUM	TYPICAL	MAXIMUM
Center Frequency (Fo)	MHz	-	916.0	-
Insertion Loss within 913.0 ~ 919.0 MHz	dB	-	2.5	3.0
Amplitude Ripple within 913.0 ~ 919.0 MHz	dB _{p-p}	-	0.5	1.2
Group Delay Variation within 913.0 ~ 919.0 MHz	ns		20	60
Attenuation:				
0.30 ~ 452.0 MHz	dB	45	47	-
452.0 ~ 806.0 MHz	dB	40	44	-
806.0 ~ 849.0 MHz	dB	40	43	-
849.0 ~ 894.0 MHz	dB	38	43	-
894.0 ~ 896.0 MHz	dB	40	48	-
896.0 ~ 901.0 MHz	dB	35	40	-
901.0 ~ 902.0 MHz	dB	30	38	-
929.0 ~ 930.0 MHz	dB	35	55	-
930.0 ~ 932.0 MHz	dB	40	55	-
932.0 ~ 935.0 MHz	dB	40	55	-
935.0 ~ 1900.0 MHz	dB	35	38	-

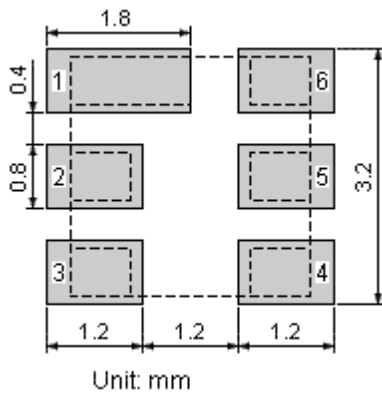
Notes: (1) No Matching Network (Ref. Testing Environment Circuit as shown below)

Package Dimensions



DC format = YYWW

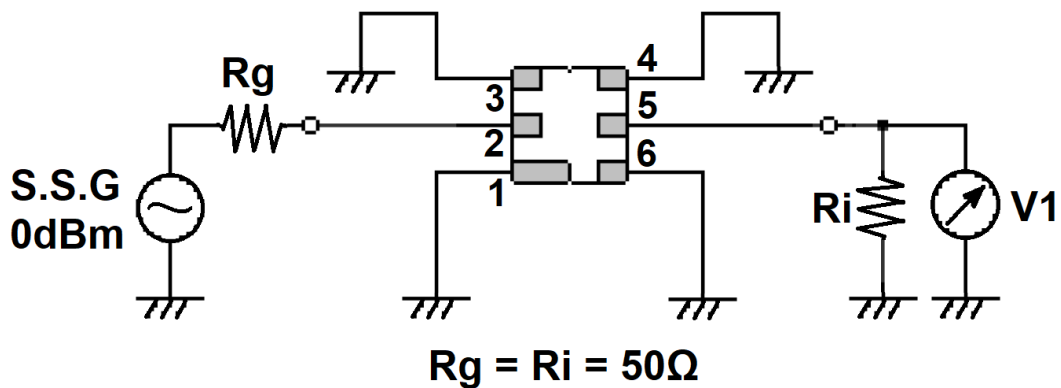
Solder Pattern



Unit: mm

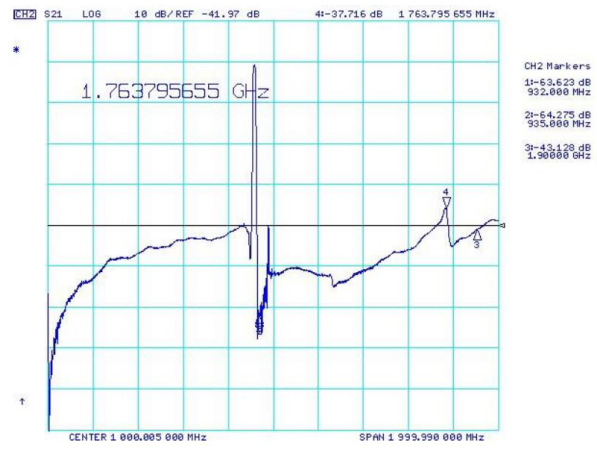
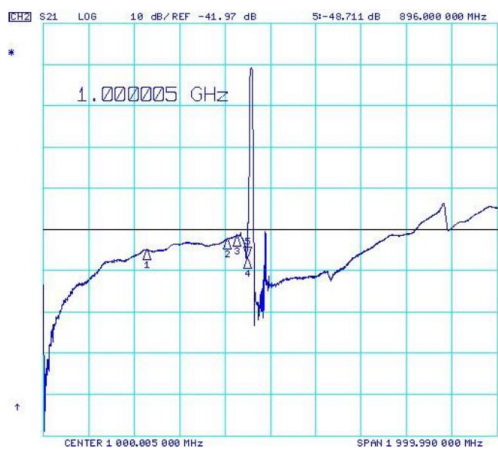
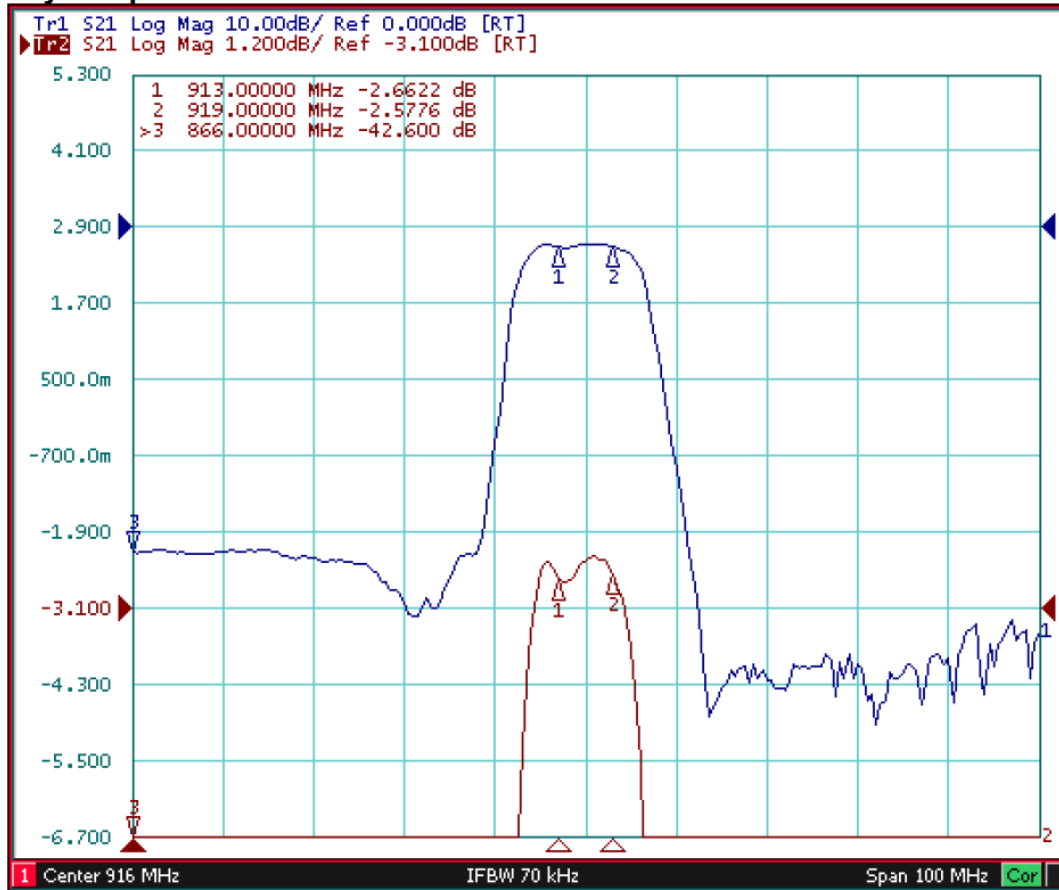
Pin Description	
A, C, D, F	Ground
E	Output
B	Input

Testing Environment



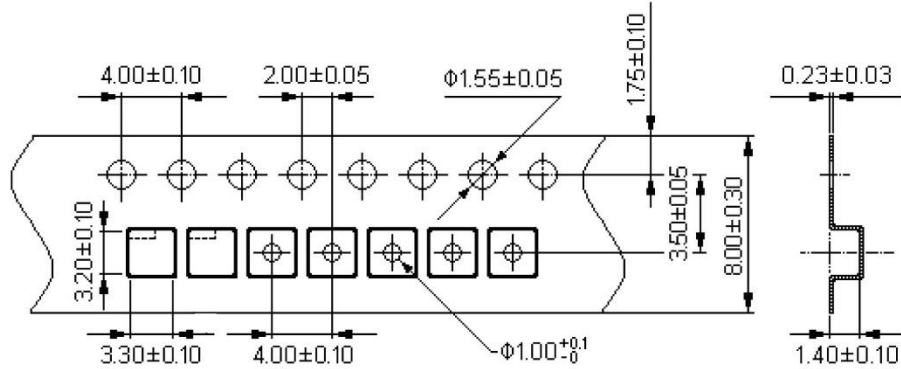
Frequency Characteristics

Frequency Response



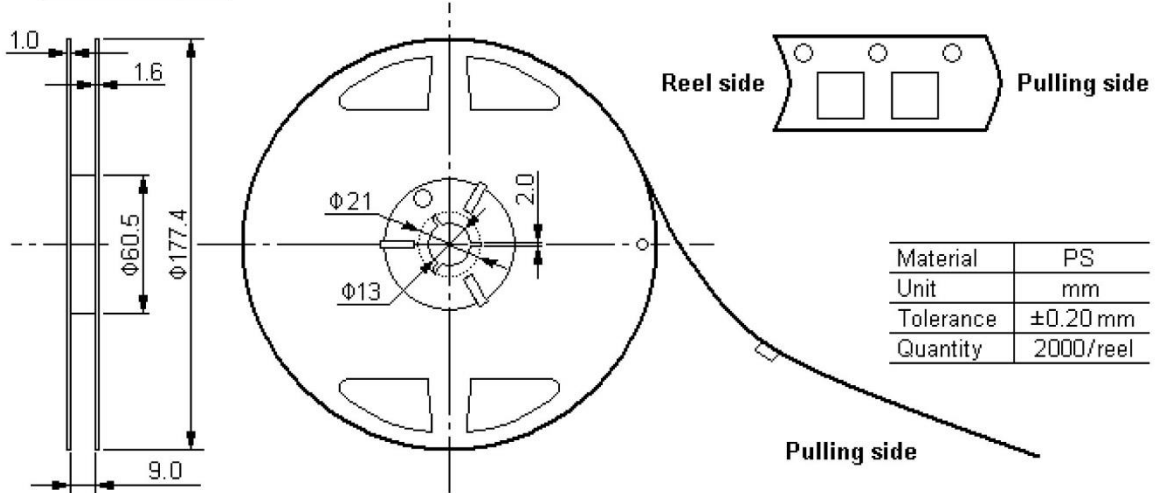
Packing Information

Carrier Tape



Dimensions in mm

Reel Dimensions



Material	PS
Unit	mm
Tolerance	±0.20 mm
Quantity	2000/reel