

- CDMA, RF-Tx SAW Filter
- Revision 0: November 2012

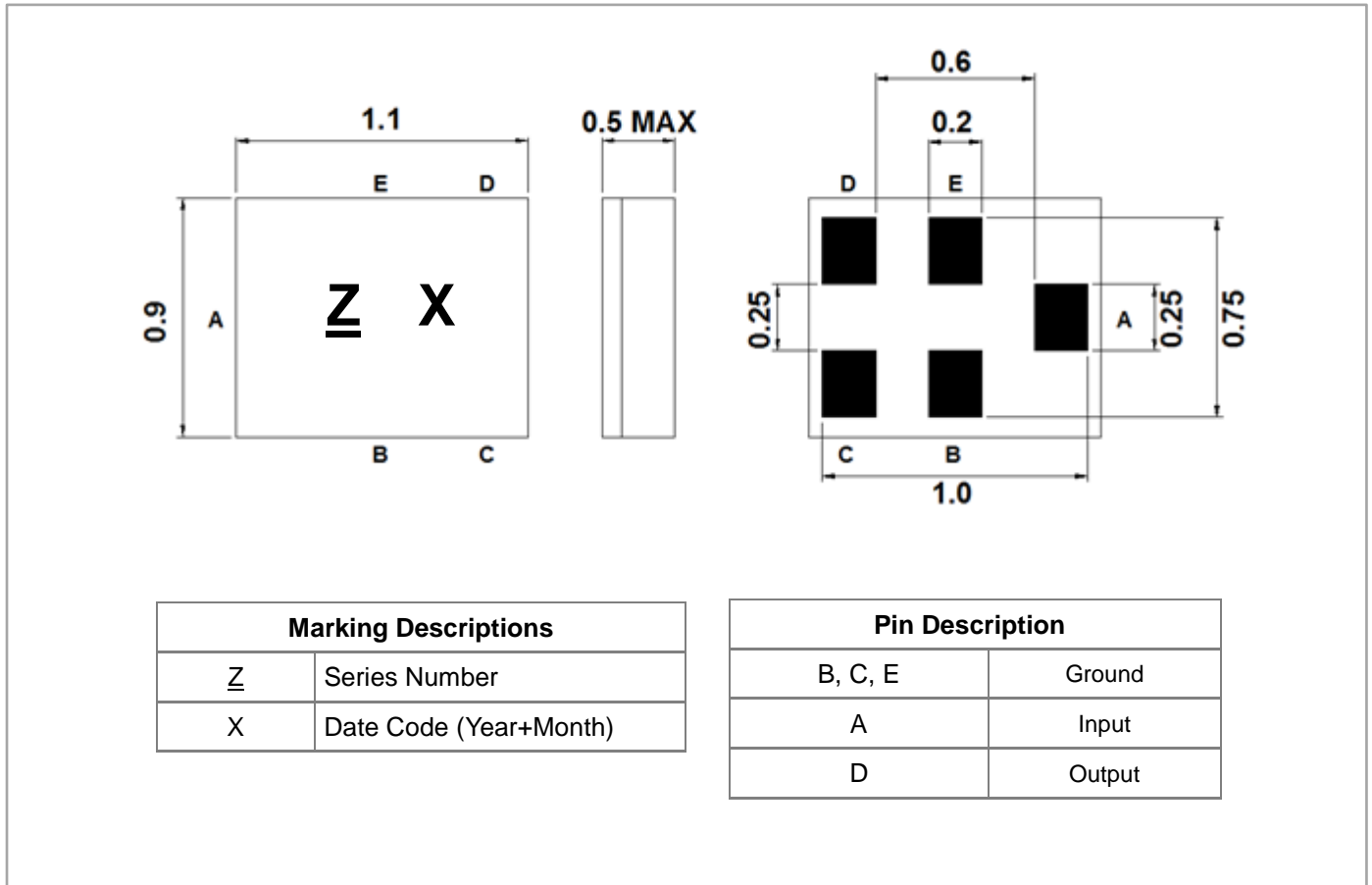
Electrical Characteristics

MAXIMUM RATING				
PARAMETERS DESCRIPTION	UNIT	MINIMUM	TYPICAL	MAXIMUM
Operating Temperature Range	°C	-30	-	+85
Storage Temperature Range	°C	-40	-	+85
Maximum DC Voltage	V	-	-	-
Maximum Input Power	dBm	-	-	16
Source Impedance (single ended)	Ω	-	50	-
Load Impedance (single ended)	Ω	-	50	-
Package type & size	C12			
Length x Width	mm ²	-	1.1 x 0.9	-
Height	mm	-	-	0.5

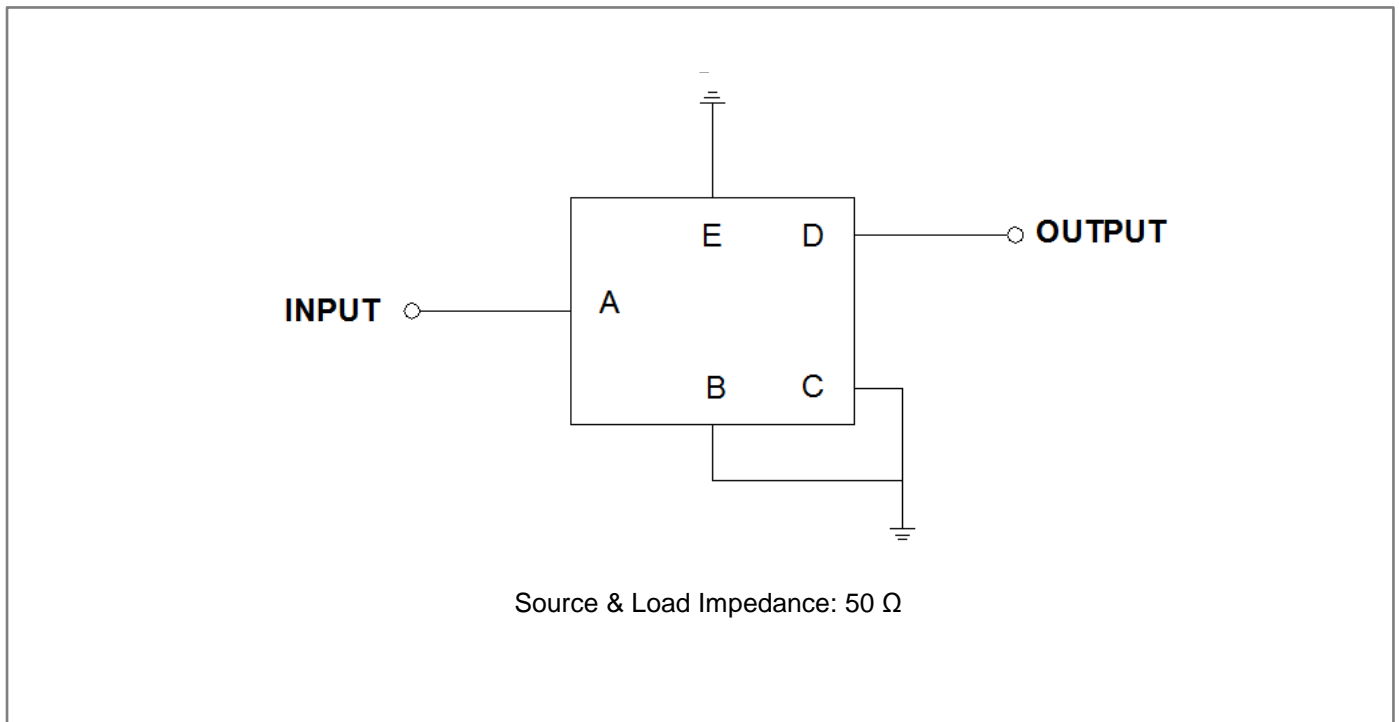
ELECTRICAL SPECIFICATION				
PARAMETERS DESCRIPTION	UNIT	MINIMUM	TYPICAL	MAXIMUM
Center Frequency (Fo)	MHz	-	836.5	-
Insertion Loss within 824.0 ~ 849.0 MHz	dB	-	2.2	2.5
Amplitude Ripple within 824.0 ~ 849.0 MHz	dB _{p-p}	-	0.7	1.2
Attenuation:				
DC ~ 779.0 MHz	dB	35	38	-
779.0 ~ 804.0 MHz	dB	35	37	-
804.0 ~ 814.0 MHz	dB	5	8	-
859.0 ~ 869.0 MHz	dB	7	15	-
869.0 ~ 894.0 MHz	dB	30	35	-
894.0 ~ 1570.0 MHz	dB	28	32	-
1570.0 ~ 2200.0 MHz	dB	23	28	-
2200.0 ~ 6000.0 MHz	dB	15	19	-
VSWR within 824.0 ~ 849.0 MHz		-	1.8	2.1

Notes: (1) No Matching Network (Ref. Testing Environment Circuit as shown below).

Package Dimensions

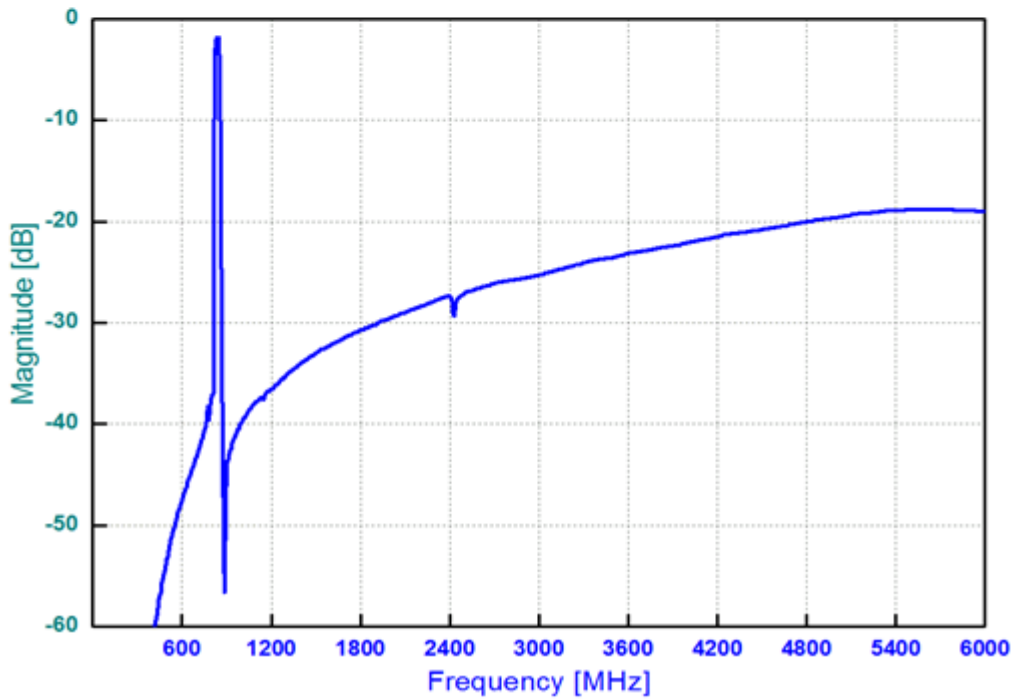
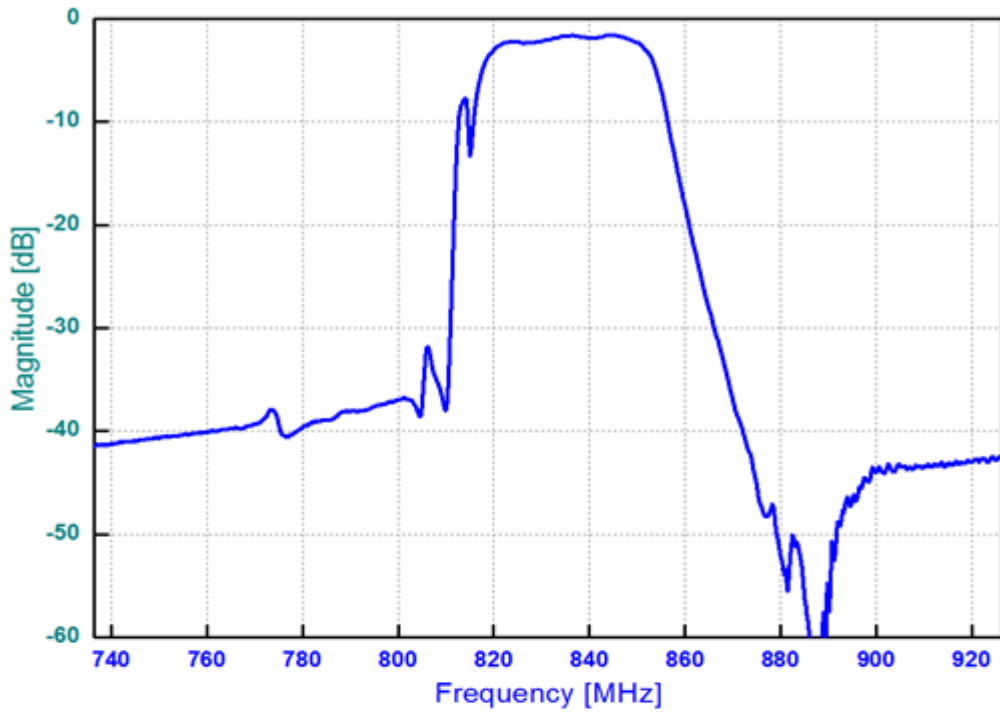


Testing Environment

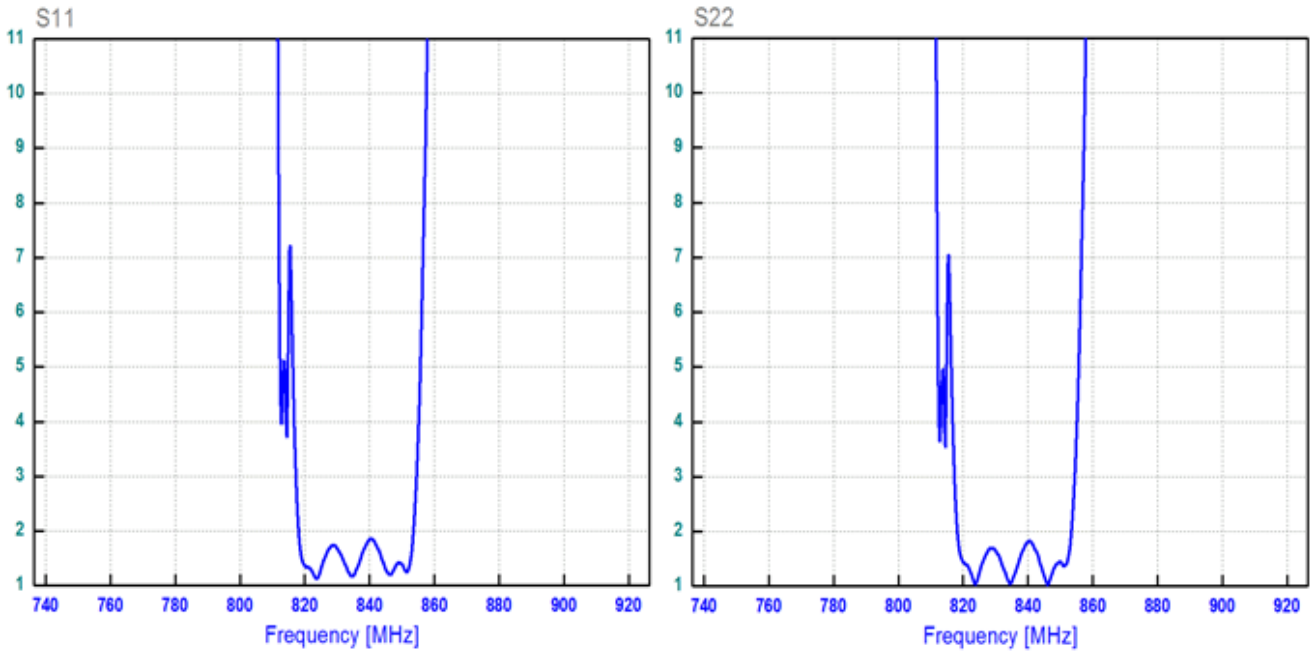


Frequency Characteristics

Frequency Response



VSWR



Smith Chart

