

- RFID, RF SAW Filter
- Revision 0: July 2005

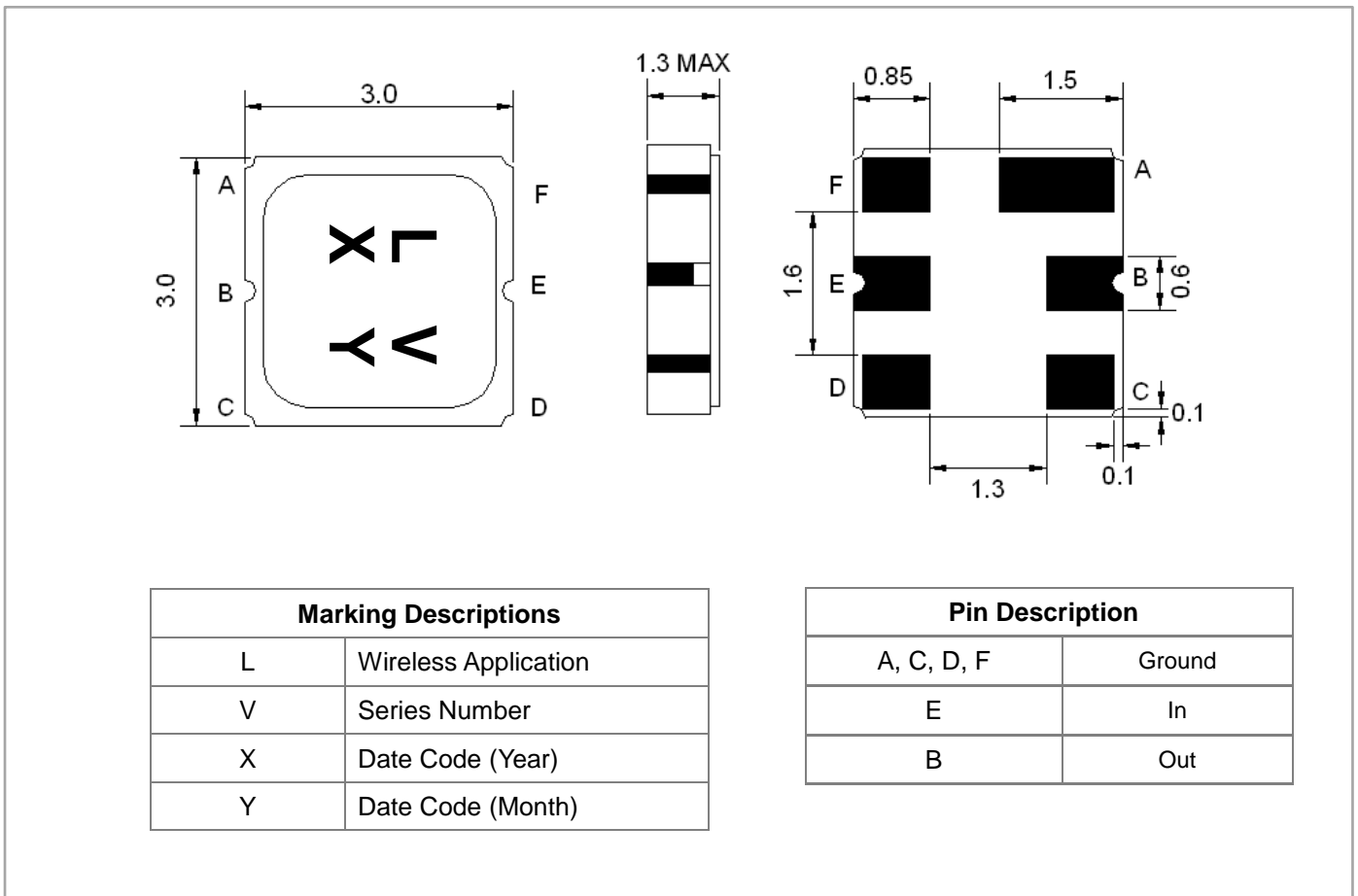
Electrical Characteristics

MAXIMUM RATING				
PARAMETERS DESCRIPTION	UNIT	MINIMUM	TYPICAL	MAXIMUM
Operating Temperature Range	°C	-30	-	+65
Storage Temperature Range	°C	-40	-	+85
Maximum DC Voltage	V	-	-	5
Maximum Input Power	dBm	-	-	20
Source Impedance (single ended) ⁽¹⁾	Ω	-	50	-
Load Impedance (single ended) ⁽¹⁾	Ω	-	50	-
Package type & size	M			
Length x Width	mm ²	-	3.0 x 3.0	-
Height	mm	-	-	1.3

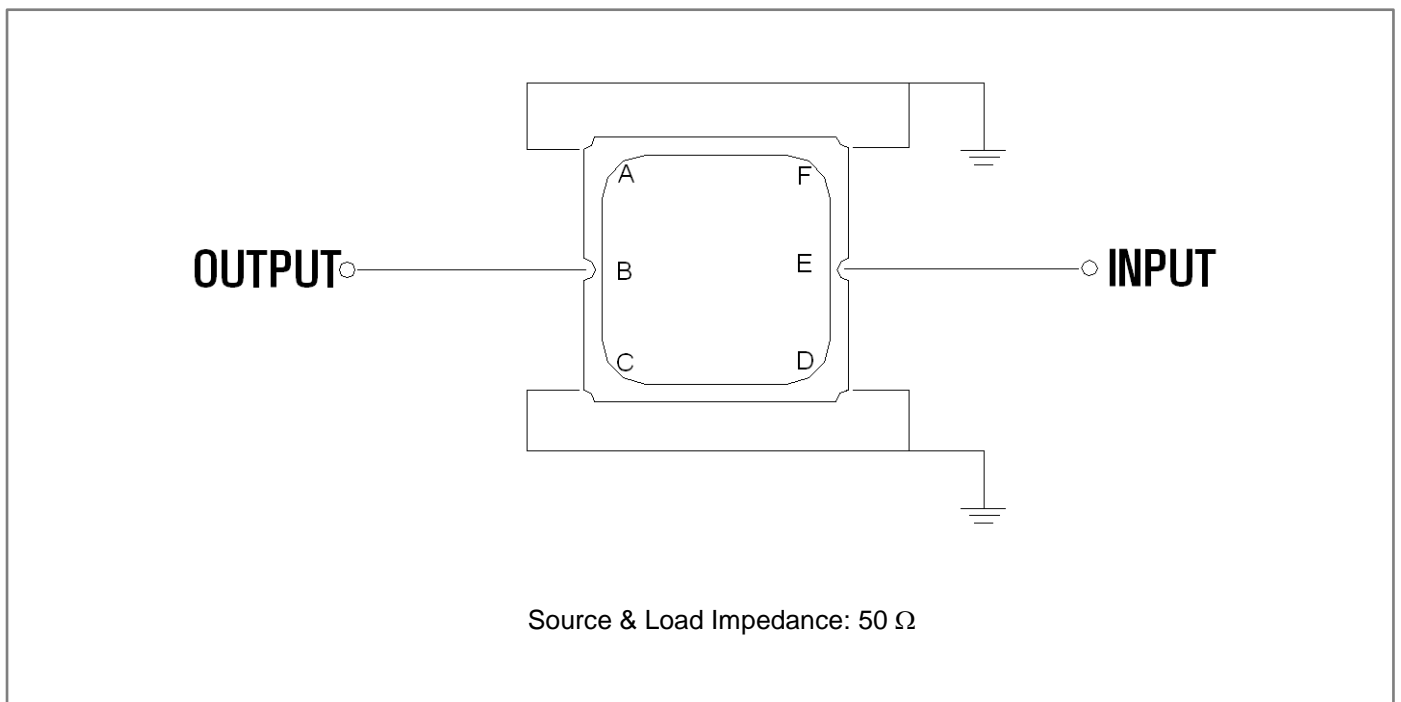
ELECTRICAL SPECIFICATION				
PARAMETERS DESCRIPTION	UNIT	MINIMUM	TYPICAL	MAXIMUM
Center Frequency (Fo)	MHz	-	911.0	-
Insertion Loss within 908.0 ~ 914.0 MHz	dB	-	2.7	3.5
Amplitude Ripple within 908.0 ~ 914.0 MHz	dB _{p-p}	-	0.3	1.0
Attenuation:				
D.C. ~ 845.0 MHz	dB	48	54	-
894.0 MHz	dB	45	49	-
960.0 ~ 1200.0 MHz	dB	47	52	-
1200.0 ~ 2000.0 MHz	dB	35	42	-
VSWR within 908.0 ~ 914.0 MHz	-	-	1.55	2.0

Notes: (1) No Matching Network (Ref. Testing Environment Circuit as shown below).

Package Dimensions

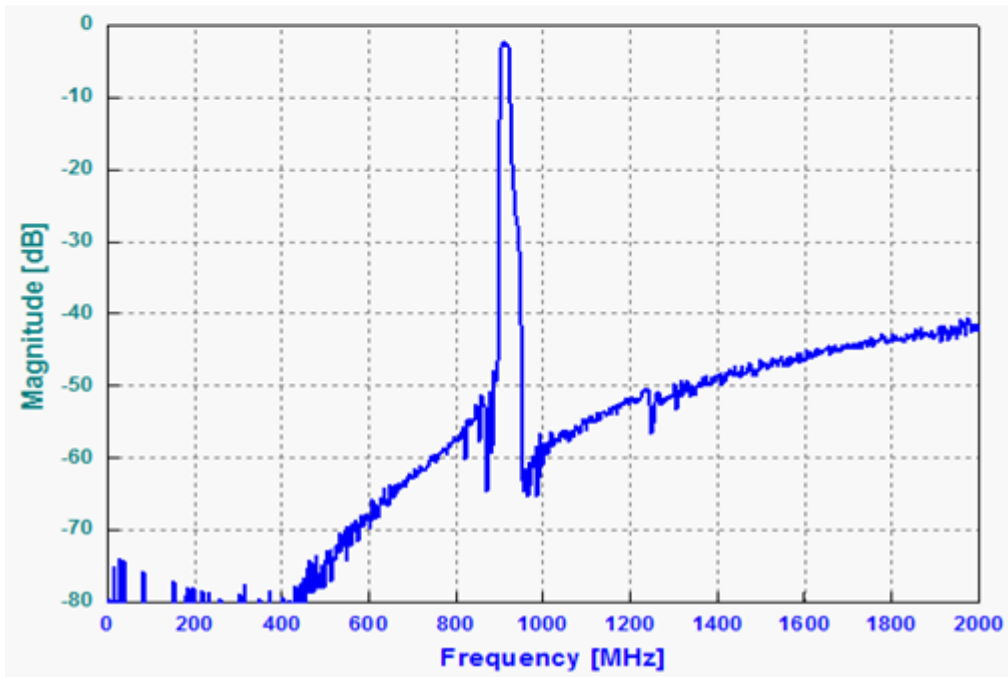
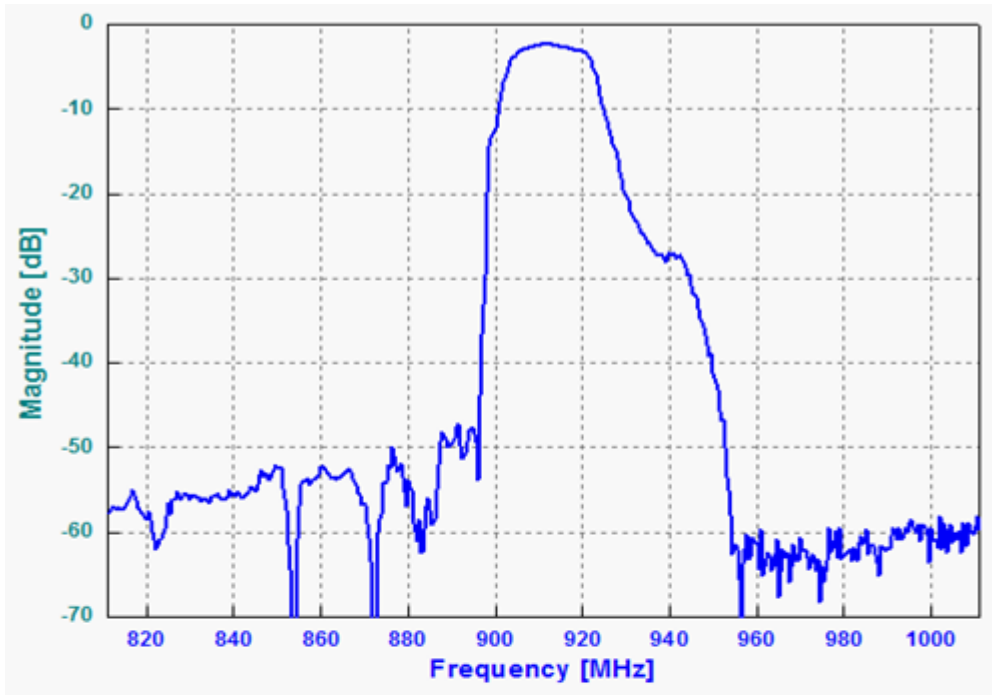


Testing Environment

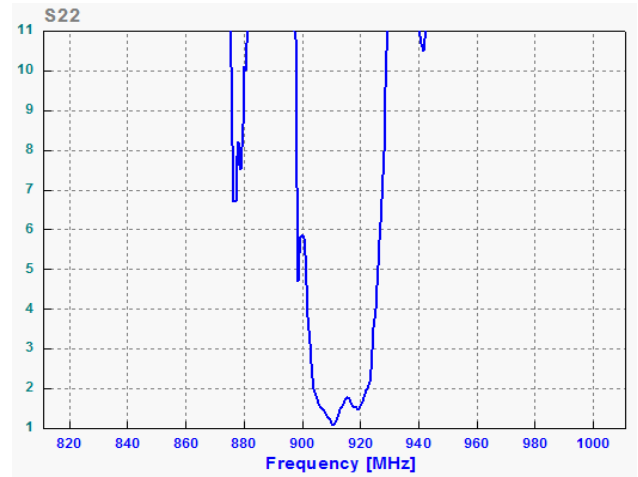
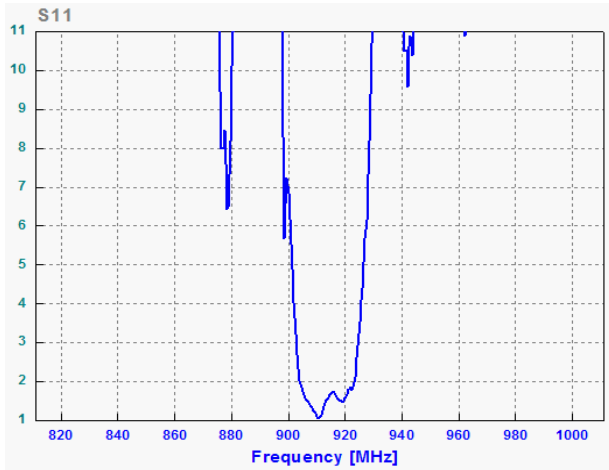


Frequency Characteristics

Frequency Response



VSWR



Smith Chart

