

- Remote Control, RF SAW Filter
- Revision 0: July 2008

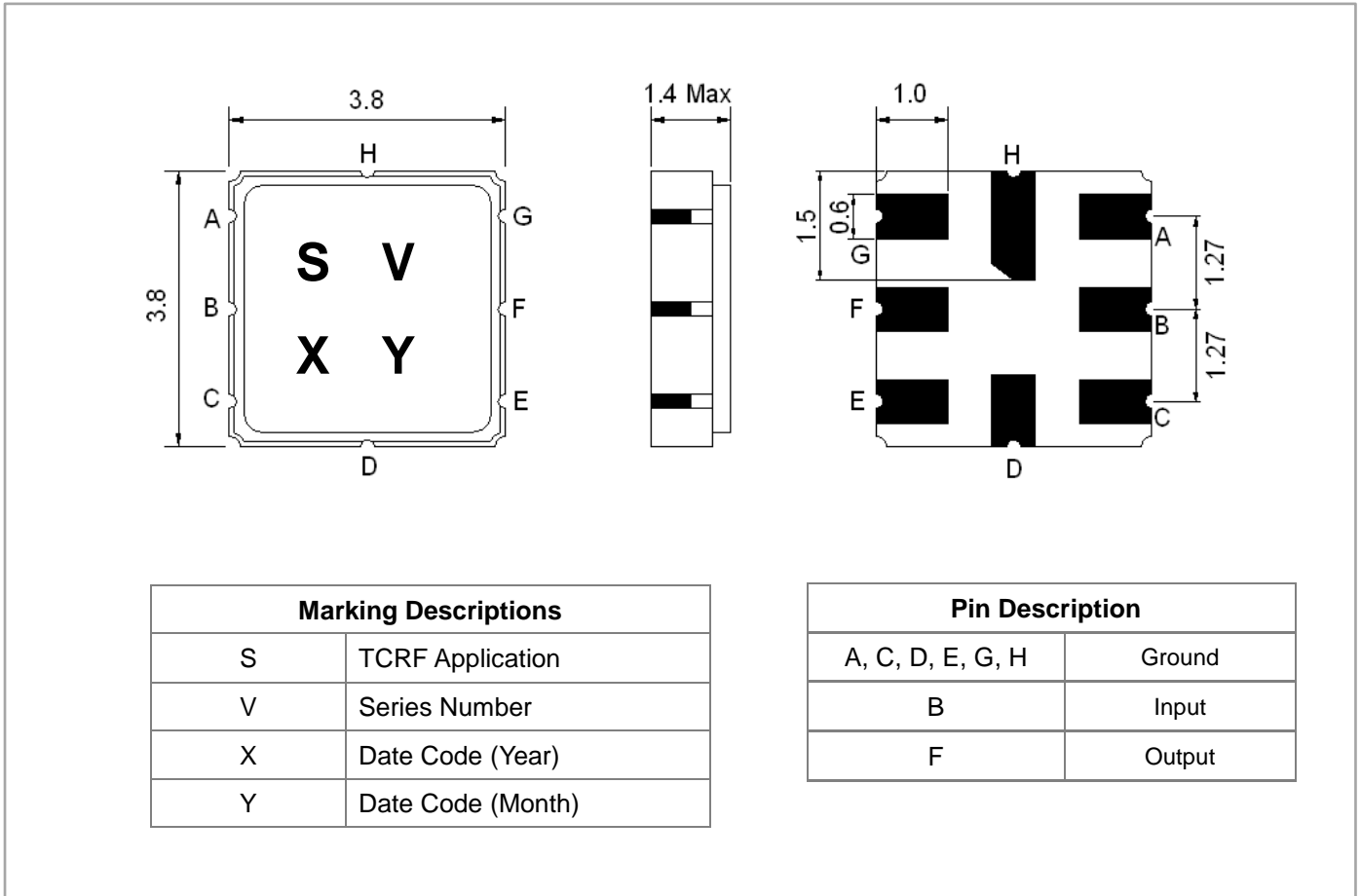
## Electrical Characteristics

MAXIMUM RATING				
PARAMETERS DESCRIPTION	UNIT	MINIMUM	TYPICAL	MAXIMUM
Operating Temperature Range	°C	-45	-	+90
Storage Temperature Range	°C	-40	-	+85
Maximum DC Voltage	V	-	-	0
Maximum Input Power	dBm	-	-	0
Source Impedance (single ended) <sup>(1)</sup>	Ω//pF	-	117//3.7	-
Load Impedance (single ended) <sup>(1)</sup>	Ω//pF	-	117//3.7	-
Package type & size	P1			
Length x Width	mm <sup>2</sup>	-	3.8 x 3.8	-
Height	mm	-	-	1.4

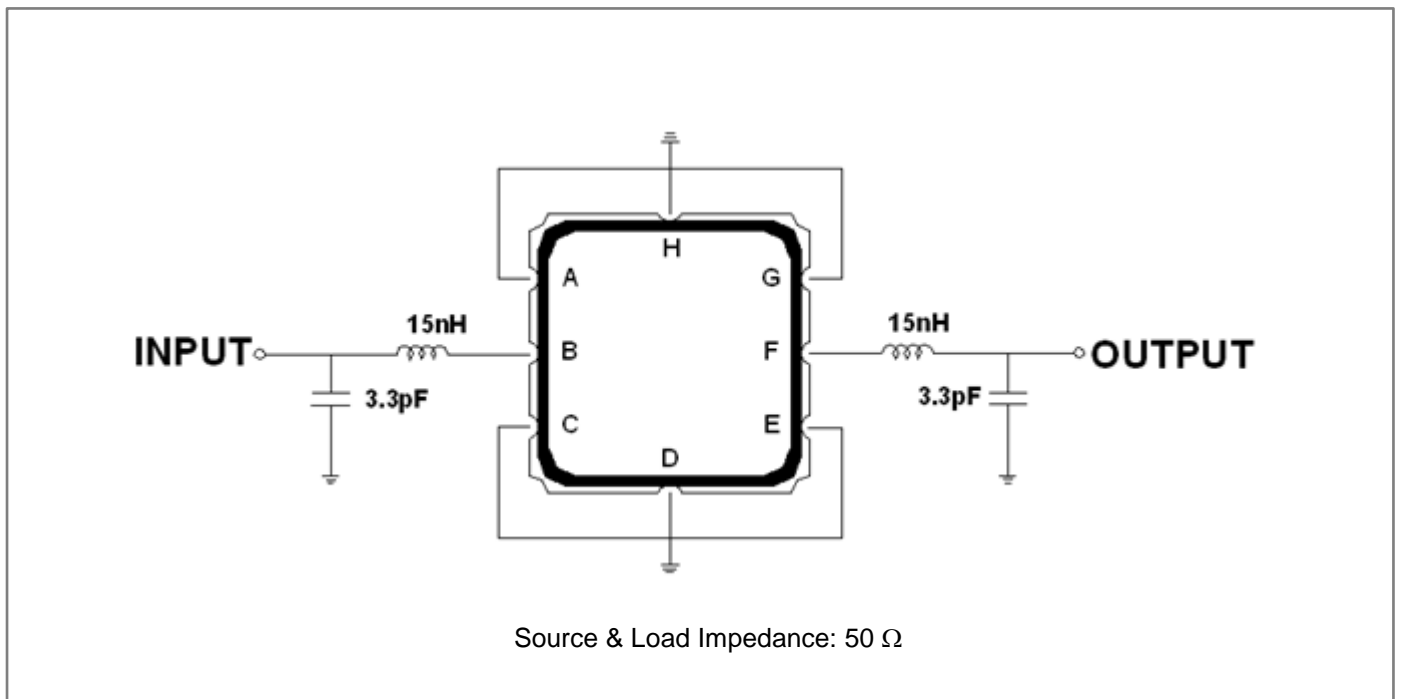
ELECTRICAL SPECIFICATION				
PARAMETERS DESCRIPTION	UNIT	MINIMUM	TYPICAL	MAXIMUM
Center Frequency (Fo)	MHz	-	868.35	-
Insertion Loss within 868 ~ 868.78 MHz	dB	-	2.7	4.2
Relative Passband :				
868 ~ 868.78 MHz	dB	-	1.0	3.0
867.9 ~ 868.88 MHz	dB	-	1.5	6.0
3dB Bandwidth	KHz	-	1500	-
Attenuation				
10 ~ 700 MHz	dB	50	55	-
700 ~ 830 MHz	dB	40	45	-
830 ~ 850 MHz	dB	35	40	-
850 ~ 865.02 MHz	dB	25	28	-
871 ~ 874.5 MHz	dB	15	20	-
874.5 ~ 883 MHz	dB	22	26	-
883 ~ 900 MHz	dB	30	35	-
900 ~ 1000 MHz	dB	40	45	-

**Notes :** (1) ) With Matching Network

## Package Dimensions



## Testing Environment



## Frequency Characteristics

Frequency Response

