

- Wireless, RF SAW Filter
- Revision 0: July 2012

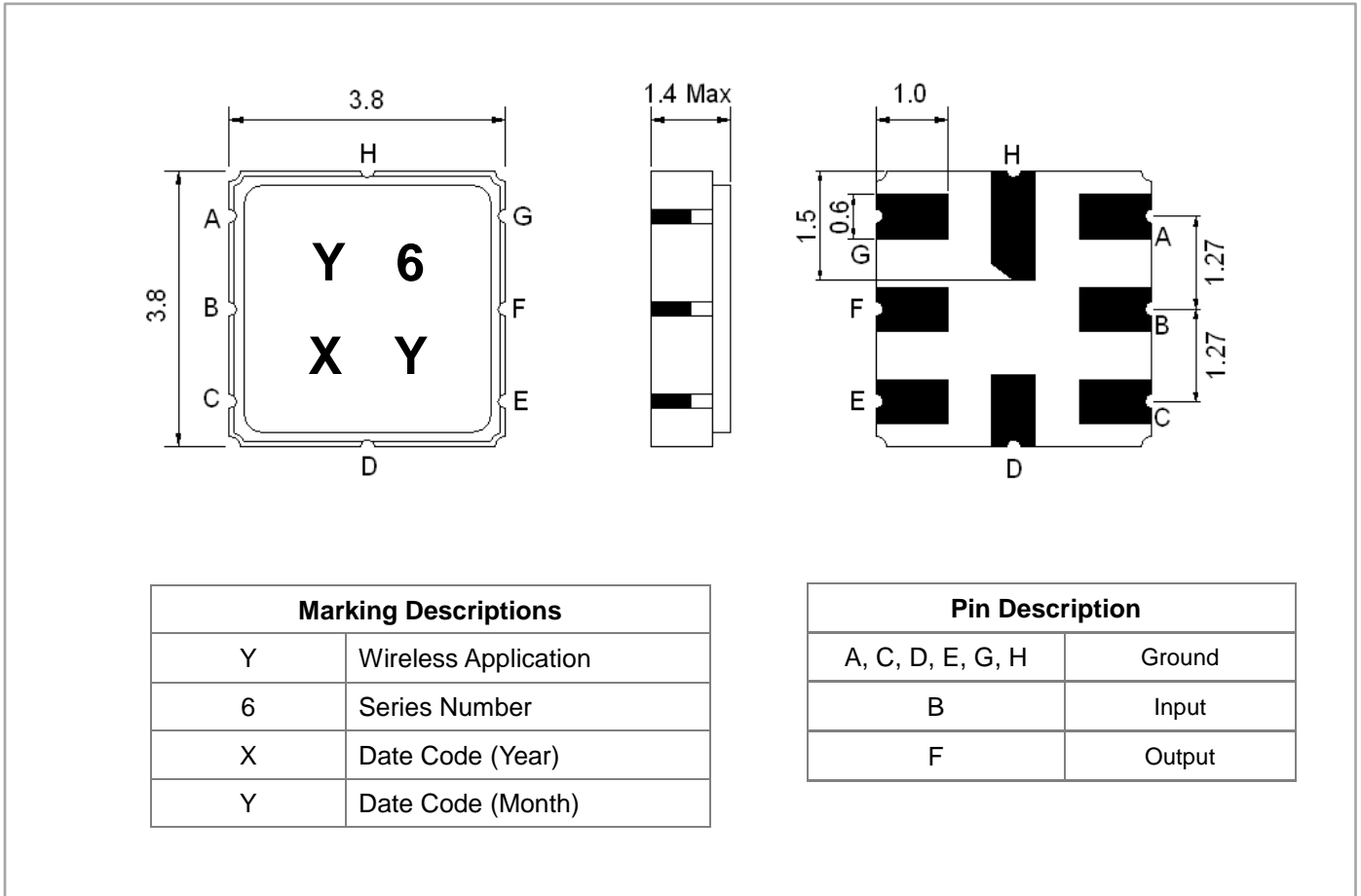
## Electrical Characteristics

MAXIMUM RATING				
PARAMETERS DESCRIPTION	UNIT	MINIMUM	TYPICAL	MAXIMUM
Operating Temperature Range	°C	-40	-	+85
Storage Temperature Range	°C	-40	-	+85
Maximum DC Voltage	V	-	-	0
Maximum Input Power	dBm	-	-	15
Source Impedance (single ended) <sup>(1)</sup>	Ω	-	50	-
Load Impedance (single ended) <sup>(1)</sup>	Ω	-	50	-
Package type & size	P1			
Length x Width	mm <sup>2</sup>	-	3.8 x3.8	-
Height	mm	-	-	1.4

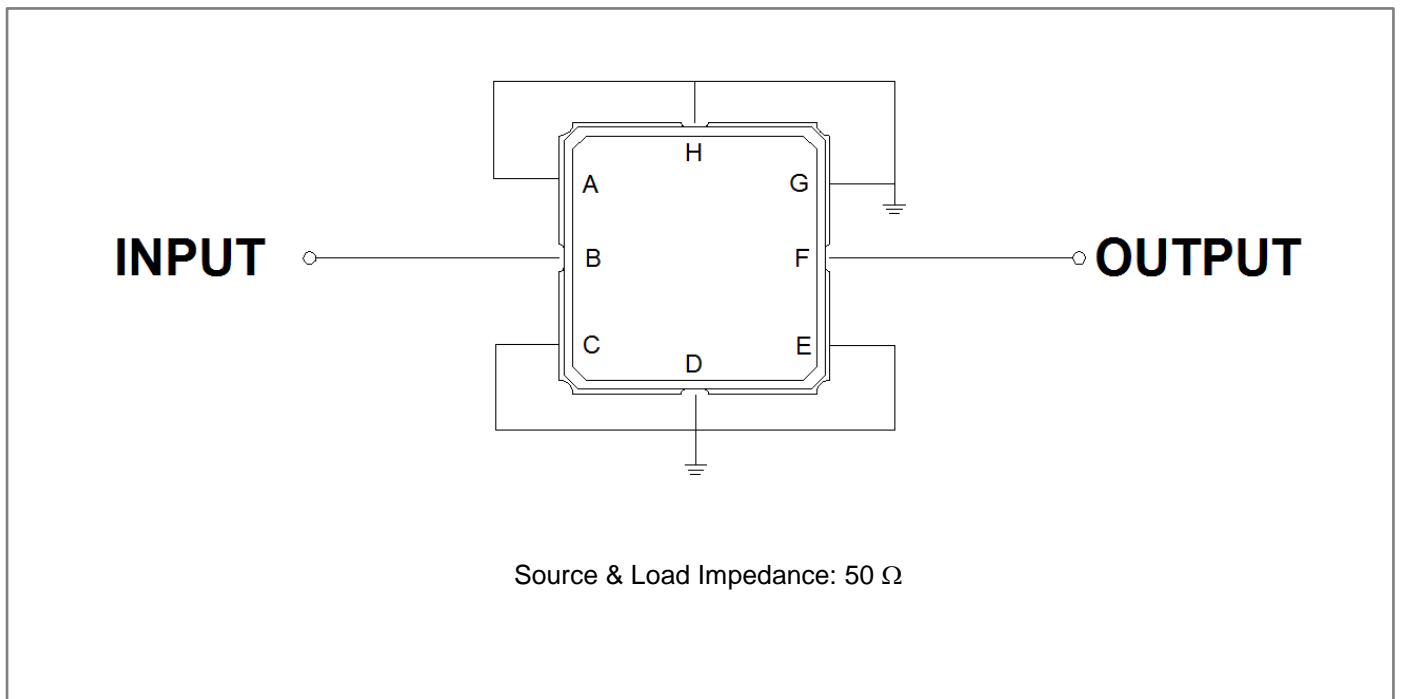
ELECTRICAL SPECIFICATION				
PARAMETERS DESCRIPTION	UNIT	MINIMUM	TYPICAL	MAXIMUM
Center Frequency (Fo)	MHz	-	433.92	-
Insertion Loss within 433.05 ~ 434.79 MHz	dB	-	2.5	3.0
Amplitude Ripple within 433.05 ~ 434.79MHz	dB <sub>p-p</sub>	-	0.5	1.0
<b>Attenuation:</b>				
389.0 ~ 392.0 MHz	dB	45	50	-
411.0 ~ 414.0 MHz	dB	40	45	-
422.0 ~ 425.0 MHz	dB	35	40	-
443.0 ~ 446.0 MHz	dB	15	18	-
454.0 ~ 457.0 MHz	dB	35	45	-
475.0 ~ 479.0 MHz	dB	45	50	-
VSWR within 433.05 ~ 434.79 MHz	-	-	1.4	2.0

**Notes :** (1) No Matching Network

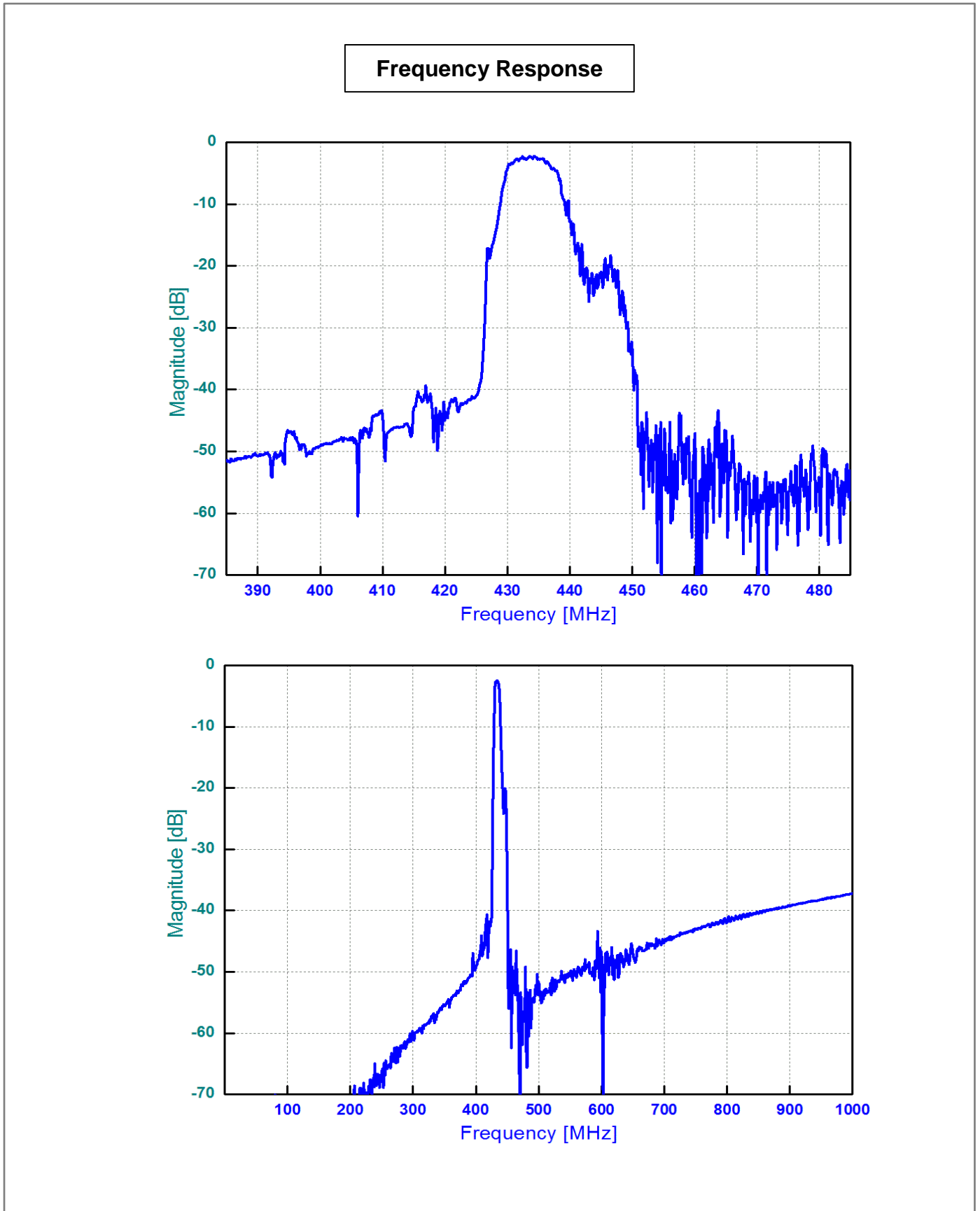
## Package Dimensions



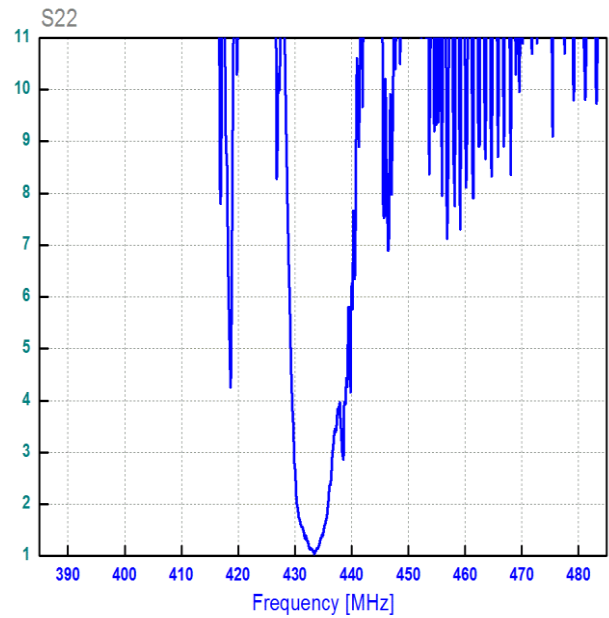
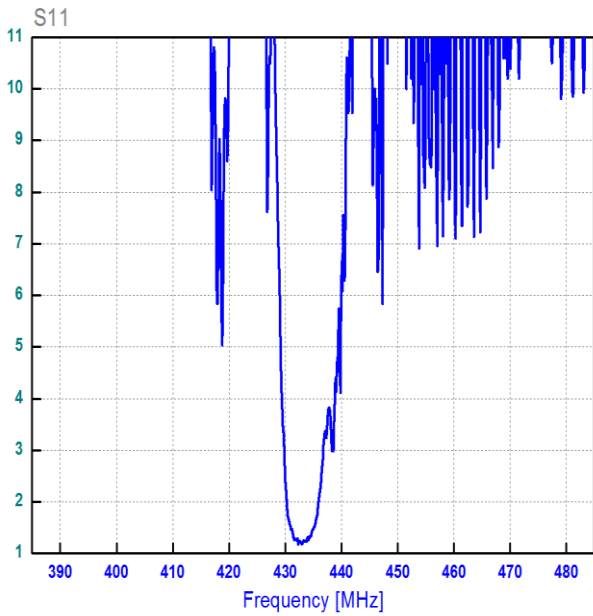
## Testing Environment



## Frequency Characteristics



## VSWR



## Smith Chart

