

- PCS, RF-Rx SAW Filter
- Revision 0: March 2012

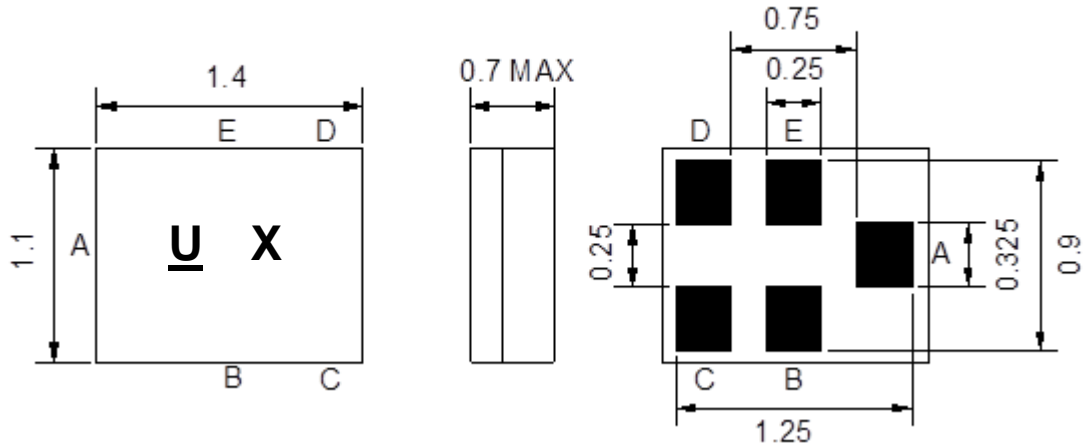
Electrical Characteristics

MAXIMUM RATING				
PARAMETERS DESCRIPTION	UNIT	MINIMUM	TYPICAL	MAXIMUM
Operating Temperature Range	°C	-20	-	+75
Storage Temperature Range	°C	-30	-	+85
Maximum DC Voltage	V	-	-	-
Maximum Input Power	dBm	-	-	10
Source Impedance (single ended)	Ω	-	50	-
Load Impedance (single ended)	Ω	-	50	-
Package type & size	Q1			
Length x Width	mm ²	-	1.4 x 1.1	-
Height	mm	-	-	0.7

ELECTRICAL SPECIFICATION				
PARAMETERS DESCRIPTION	UNIT	MINIMUM	TYPICAL	MAXIMUM
Center Frequency (Fo)	MHz	-	1960.0	-
Insertion Loss within 1930.0 ~ 1990.0 MHz	dB	-	2.9	4.2
Amplitude Ripple within 1930.0 ~ 1990.0 MHz	dB _{p-p}	-	1.5	2.2
Attenuation:				
1135 ~ 1145 MHz	dB	25	27	-
1705 ~ 1715 MHz	dB	25	29	-
1805 ~ 1880 MHz	dB	25	32	-
2110 ~ 2170 MHz	dB	30	33	-
2300 ~ 2360 MHz	dB	30	32	-
2490 ~ 2550 MHz	dB	30	32	-
2680 ~ 2740 MHz	dB	30	33	-
3060 ~ 3120 MHz	dB	30	43	-
3840 ~ 3960 MHz	dB	30	36	-
VSWR within 1930.0 ~ 1990.0 MHz		-	1.95	2.6

Notes: (1) No Matching Network (Ref. Testing Environment Circuit as shown below).

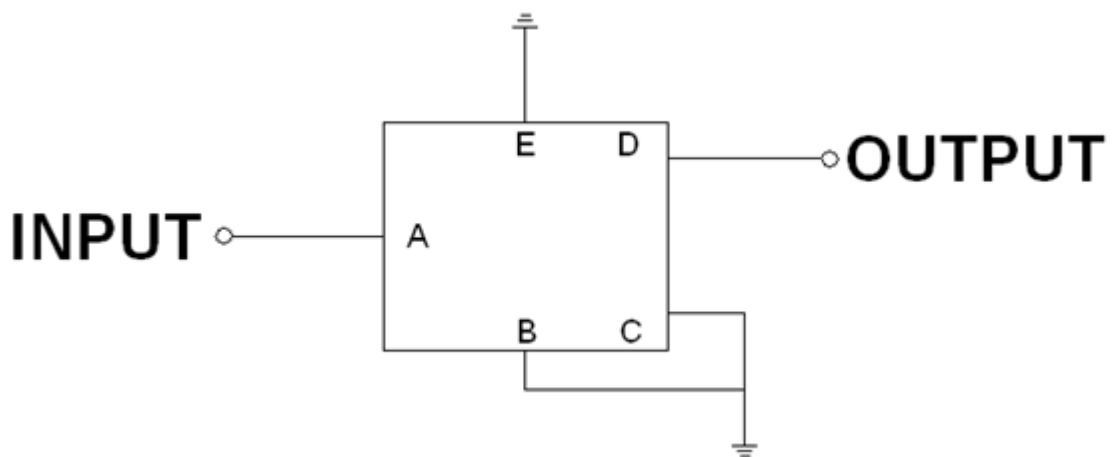
Package Dimensions



Marking Descriptions	
<u>U</u>	Series Number
X	Date Code (Year+Month)

Pin Description	
B, C, E	Ground
A	Input
D	Output

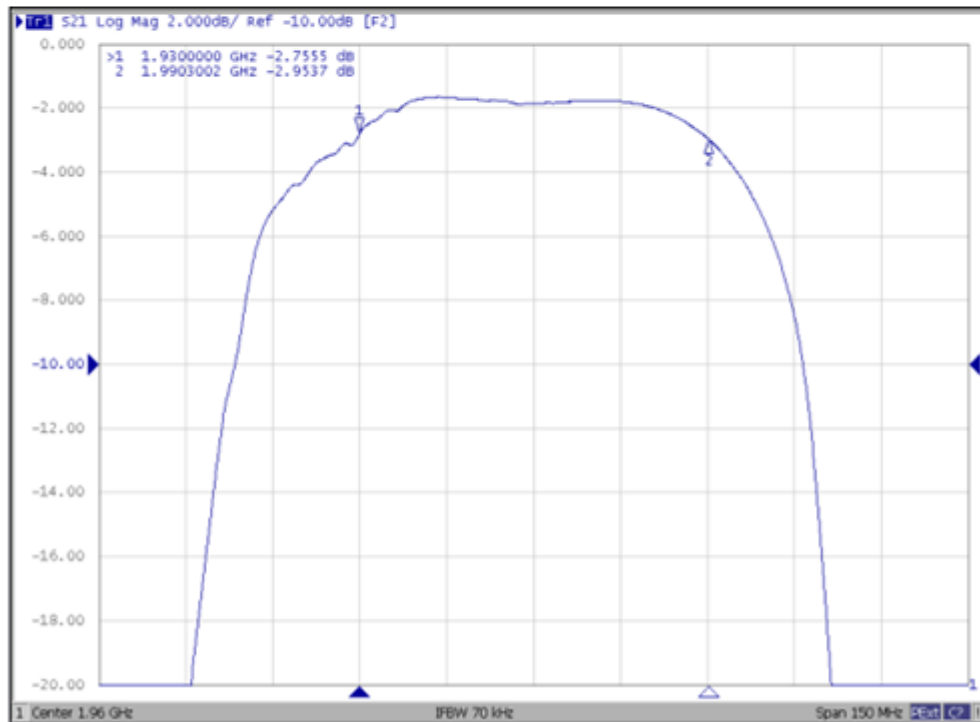
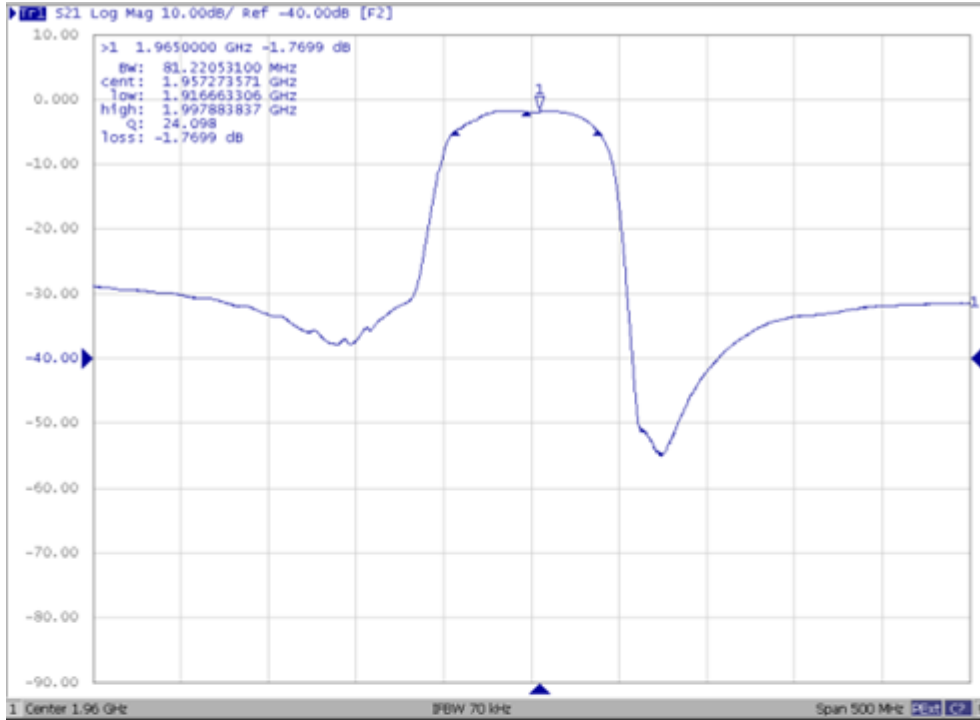
Testing Environment



Source & Load Impedance: 50 Ω

Frequency Characteristics

Frequency Response



Wide-Span



VSWR

