

- GPS+Glonass, RF SAW Filter
- Revision 0: March 2012

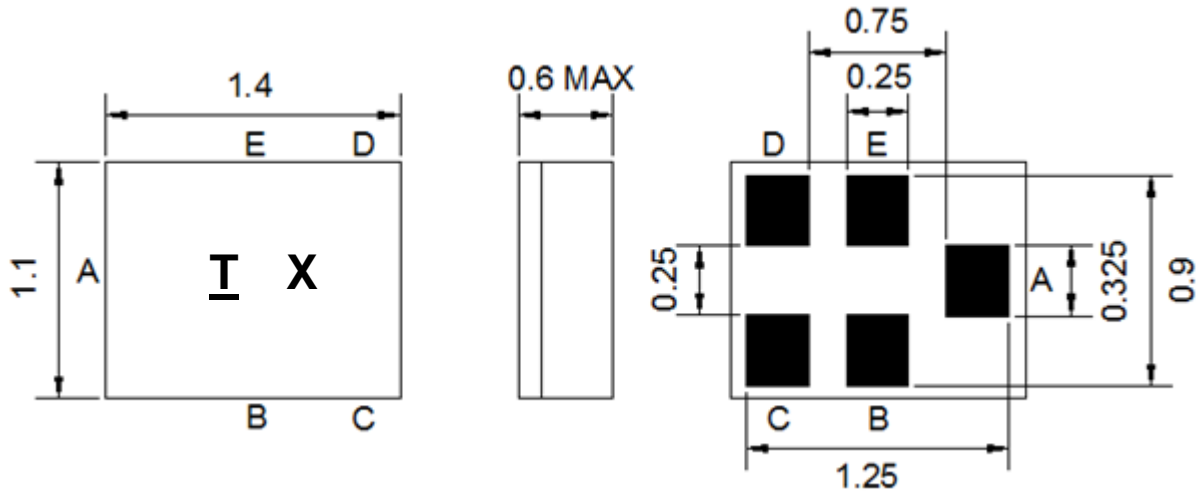
Electrical Characteristics

MAXIMUM RATING				
PARAMETERS DESCRIPTION	UNIT	MINIMUM	TYPICAL	MAXIMUM
Operating Temperature Range	°C	-30	-	+85
Storage Temperature Range	°C	-40	-	+85
Maximum DC Voltage	V	-	-	0
Maximum Input Power	dBm	-	-	10
Source Impedance (single ended) ⁽¹⁾	Ω	-	50	-
Load Impedance (single ended) ⁽¹⁾	Ω	-	50	-
Package type & size	Q1			
Length x Width	mm ²	-	1.4 x 1.1	-
Height	mm	-	-	0.6

ELECTRICAL SPECIFICATION				
PARAMETERS DESCRIPTION	UNIT	MINIMUM	TYPICAL	MAXIMUM
Center Frequency (Fo)	MHz	-	1588.655	-
Max.Insertion Loss within 1571.42 ~ 1605.89 MHz	dB	-	1.9	2.5
Amplitude Ripple within 1571.42 ~ 1605.89 MHz	dB _{p-p}	-	1.0	1.5
Attenuation:				
D.C ~ 824.0 MHz	dB	32	35	-
824.0 ~ 849.0 MHz	dB	32	36	-
849.0 ~ 880.0 MHz	dB	32	36	-
880.0 ~ 915.0 MHz	dB	32	36	-
915.0 ~ 1452.0 MHz	dB	30	35	-
1452.0 ~ 1525.0 MHz	dB	25	30	-
1710.0 ~ 1785.0 MHz	dB	32	38	-
1785.0 ~ 1850.0 MHz	dB	32	37	-
1850.0 ~ 6000.0 MHz	dB	12	17	-
VSWR within 1571.42 ~ 1605.89 MHz	-	-	1.5	2.0

Notes: (1) No Matching Network (Ref. Testing Environment Circuit as shown below).

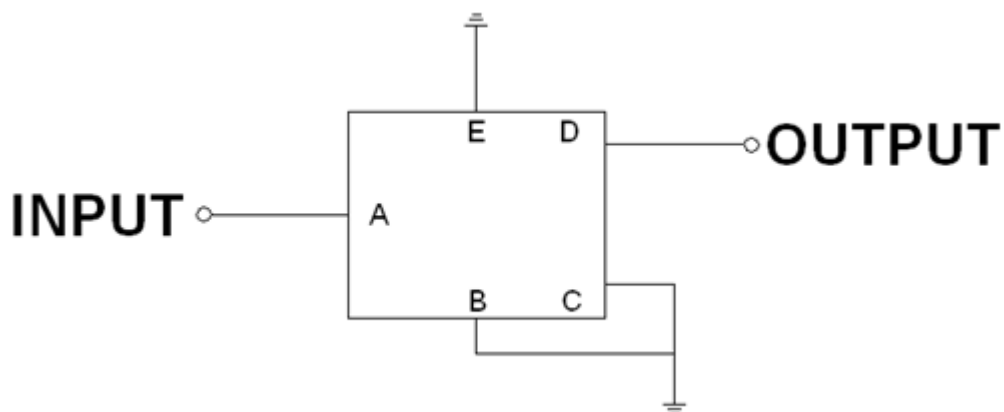
Package Dimensions



Marking Descriptions	
I	Series Number
X	Date Code (Year+Month)

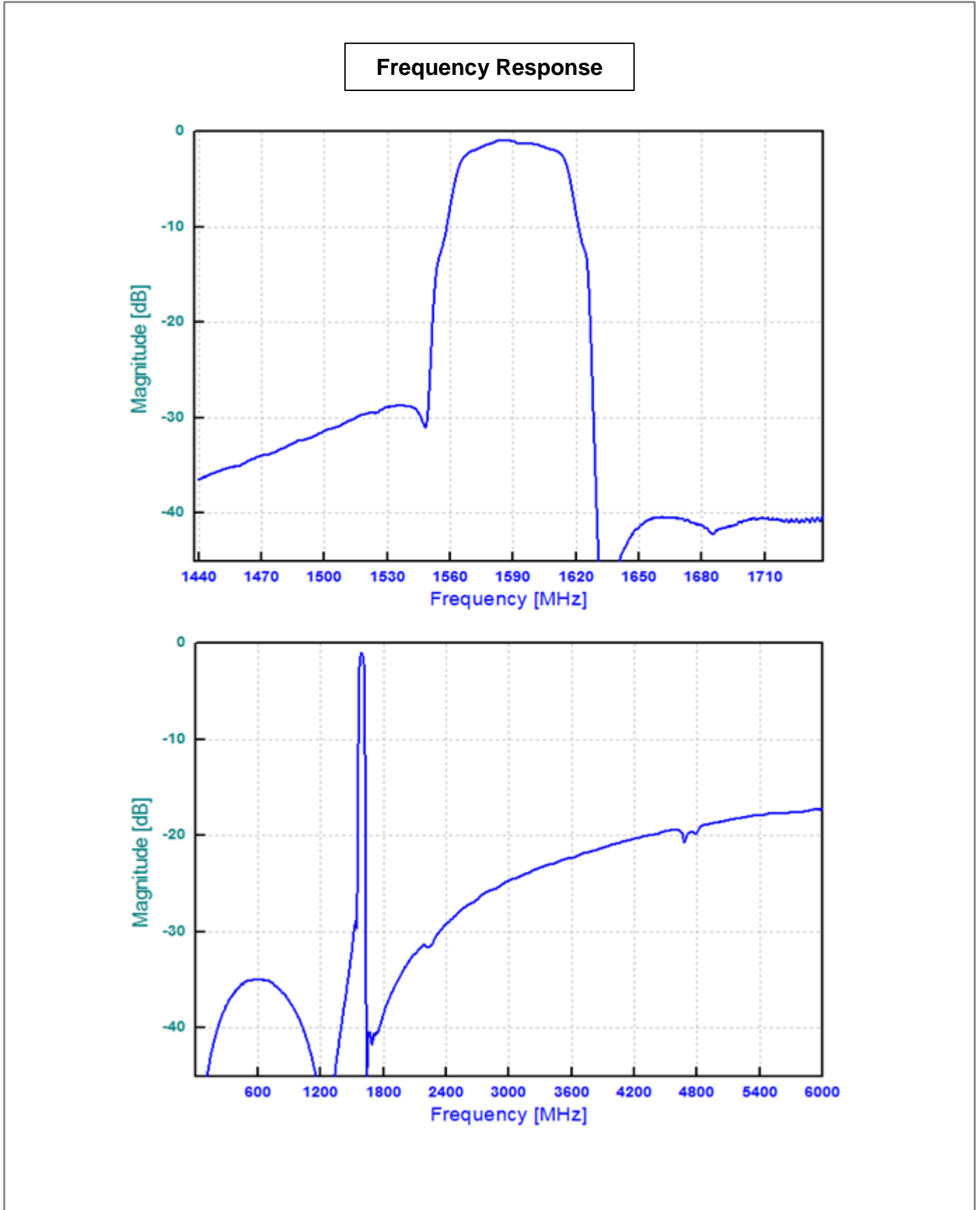
Pin Description	
B, C, E	Ground
A	In
D	Out

Testing Environment

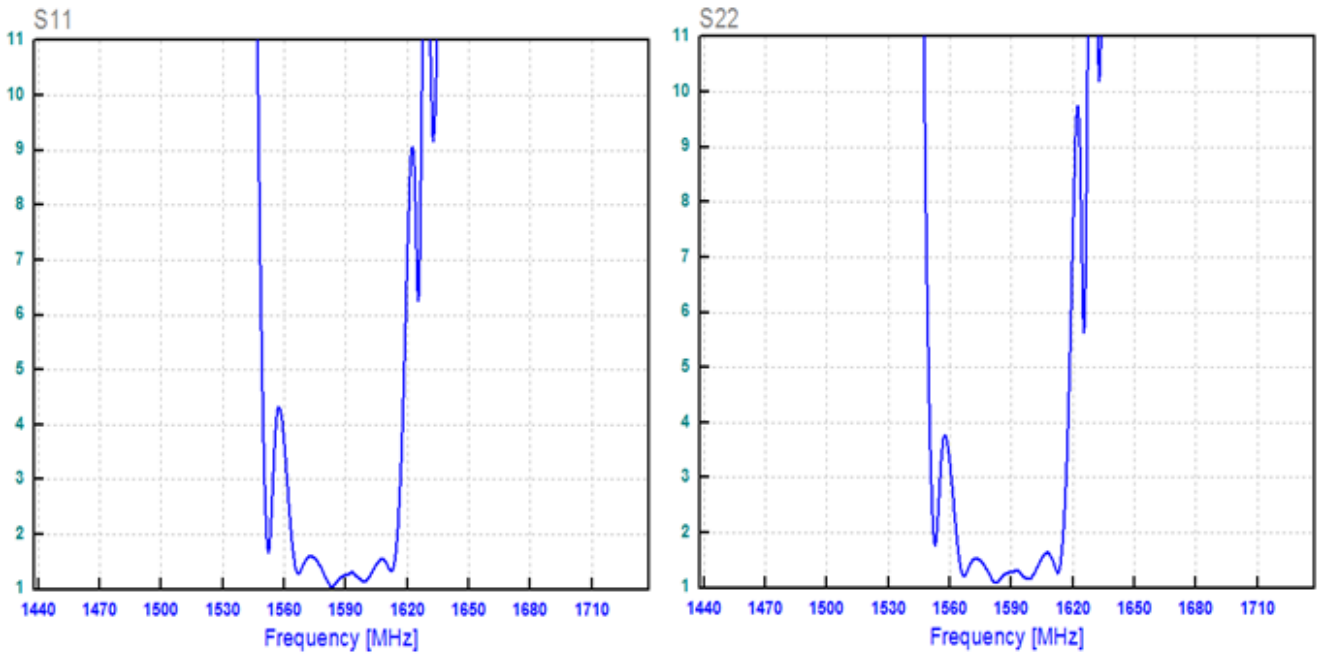


Source & Load Impedance: 50 Ω

Frequency Characteristics



VSWR



Smith Chart

