

- GPS RF SAW Filter
- Revision 0: August 2012

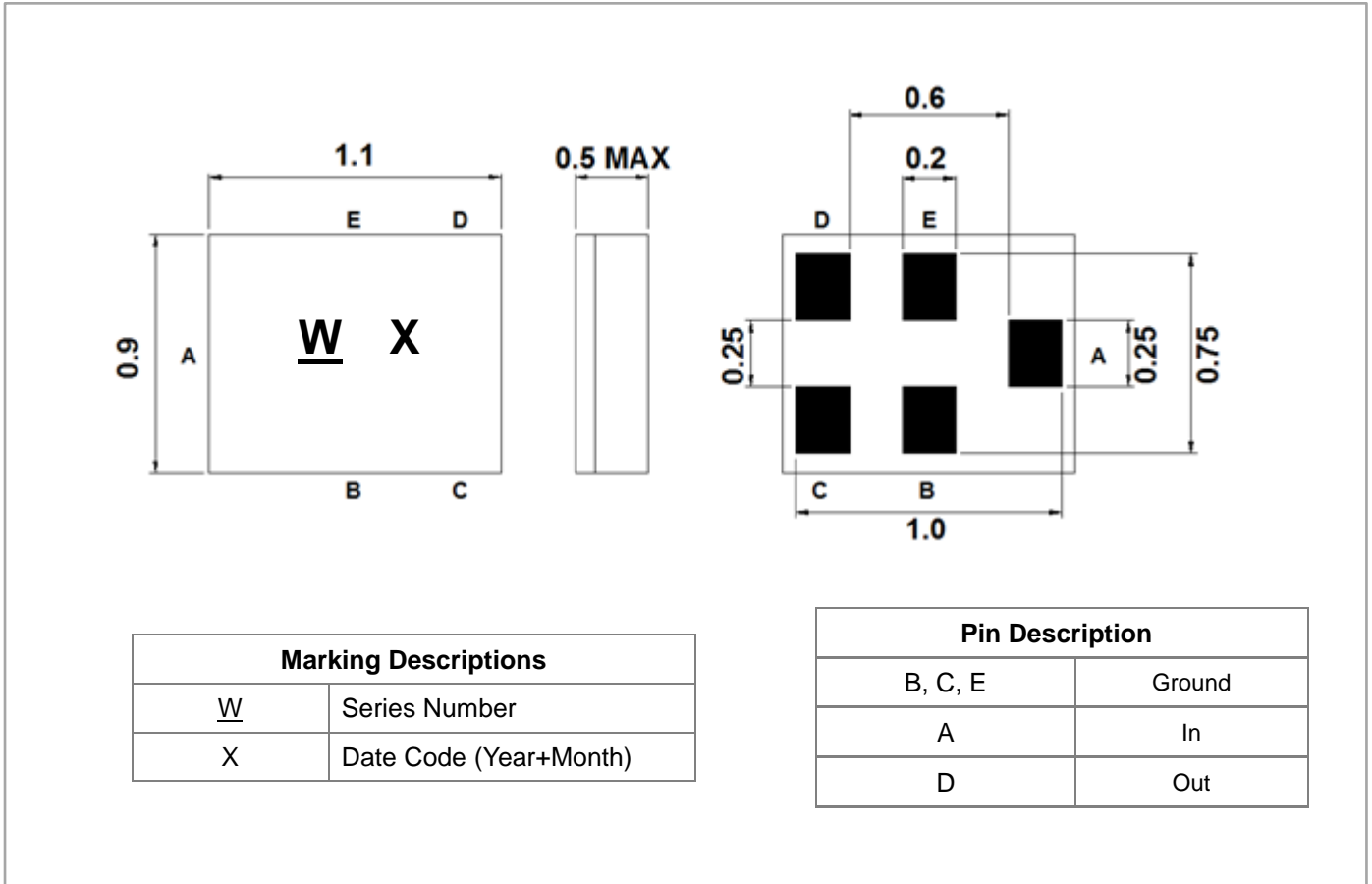
## Electrical Characteristics

MAXIMUM RATING				
PARAMETERS DESCRIPTION	UNIT	MINIMUM	TYPICAL	MAXIMUM
Operating Temperature Range	°C	-30	-	+85
Storage Temperature Range	°C	-40	-	+85
Maximum DC Voltage	V	-	-	0
Maximum Input Power	dBm	-	-	10
Source Impedance (single ended) <sup>(1)</sup>	Ω	-	50	-
Load Impedance (single ended) <sup>(1)</sup>	Ω	-	50	-
Package type & size	a2			
Length x Width	mm <sup>2</sup>	-	1.1 x 0.9	-
Height	mm	-	-	0.5

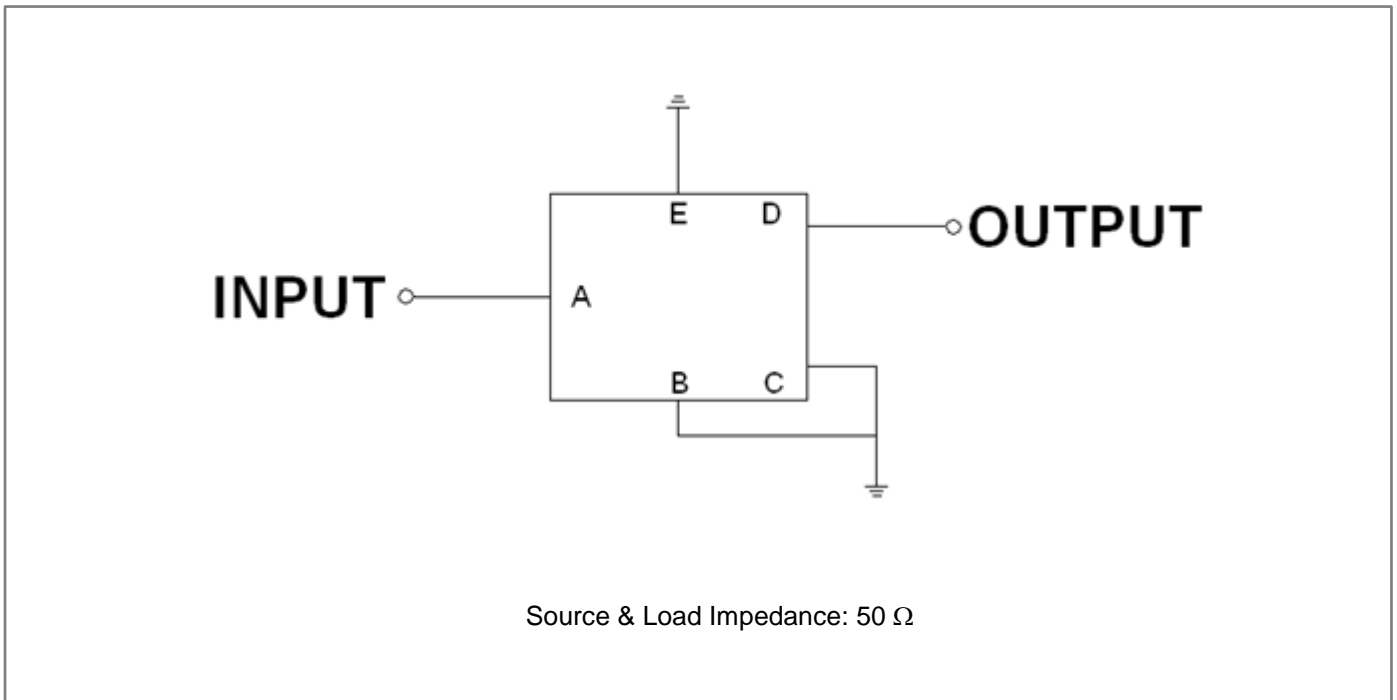
ELECTRICAL SPECIFICATION				
PARAMETERS DESCRIPTION	UNIT	MINIMUM	TYPICAL	MAXIMUM
Center Frequency (Fo)	MHz	-	1575.42	-
Insertion Loss within 1574.42 ~ 1576.42 MHz	dB	-	0.75	1.2
Amplitude Ripple within 1574.42 ~ 1576.42 MHz	dB <sub>p-p</sub>	-	0.02	0.5
<b>Attenuation:</b>				
DC ~ 824.0 MHz	dB	32	35	-
824.0 ~ 849.0 MHz	dB	32	35	-
849.0 ~ 960.0 MHz	dB	32	35	-
1495.0 ~ 1515.0 MHz	dB	30	32	-
1635.0 ~ 1655.0 MHz	dB	40	44	-
1710.0 ~ 1750.0 MHz	dB	40	43	-
1750.0 ~ 1780.0 MHz	dB	40	43	-
1780.0 ~ 1785.0 MHz	dB	40	43	-
1850.0 ~ 1910.0 MHz	dB	35	40	-
1920.0 ~ 1980.0 MHz	dB	35	38	-
2400.0 ~ 2480.0 MHz	dB	30	32	-
2480.0 ~ 2500.0 MHz	dB	30	32	-
2500.0 ~ 2700.0 MHz	dB	25	30	-
3000.0 ~ 4000.0 MHz	dB	20	24	-
4000.0 ~ 6000.0 MHz	dB	18	21	-
VSWR within 1574.42 ~ 1576.42 MHz	-	-	1.4	1.8

**Notes:** (1) No Matching Network (Ref. Testing Environment Circuit as shown below).

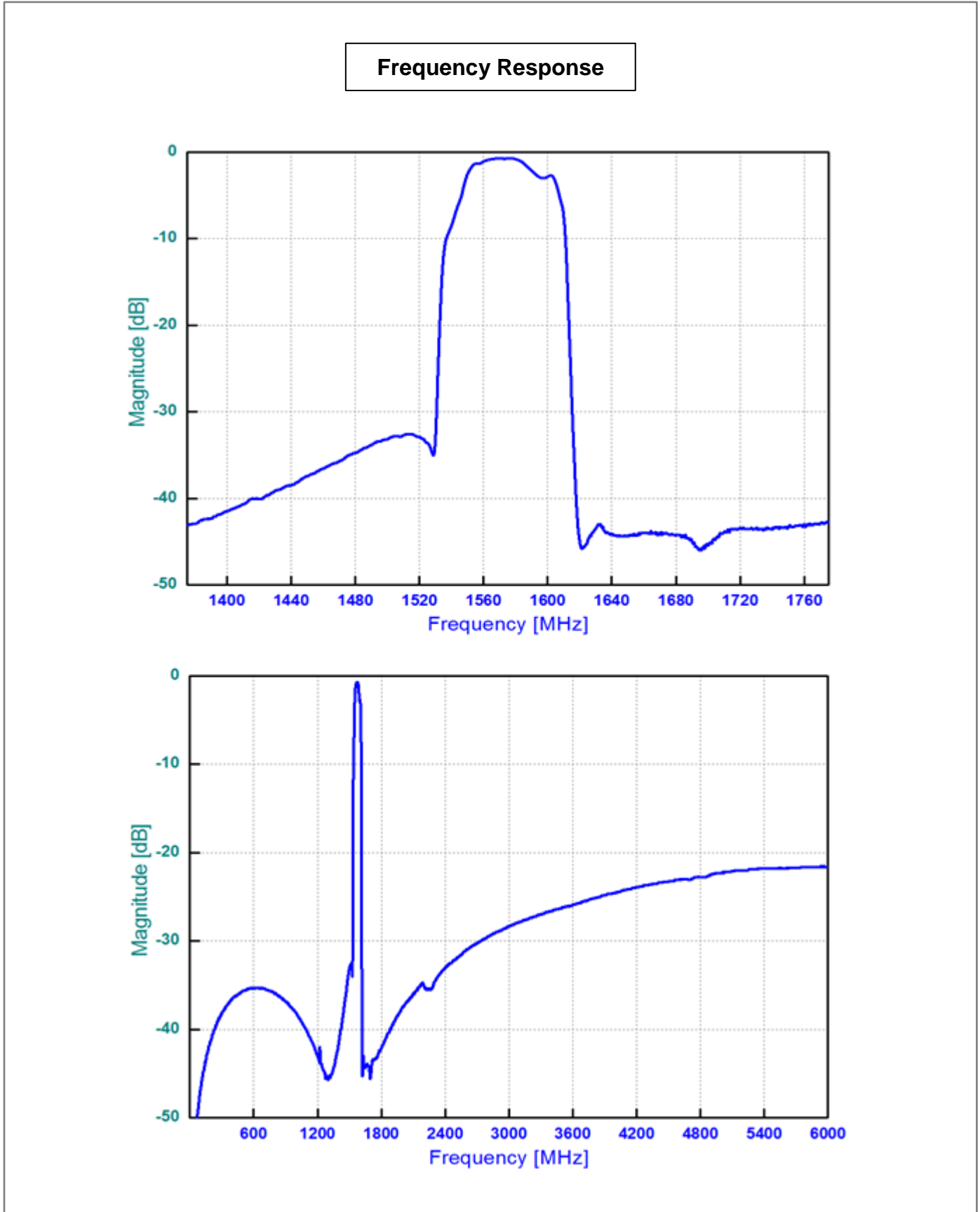
## Package Dimensions



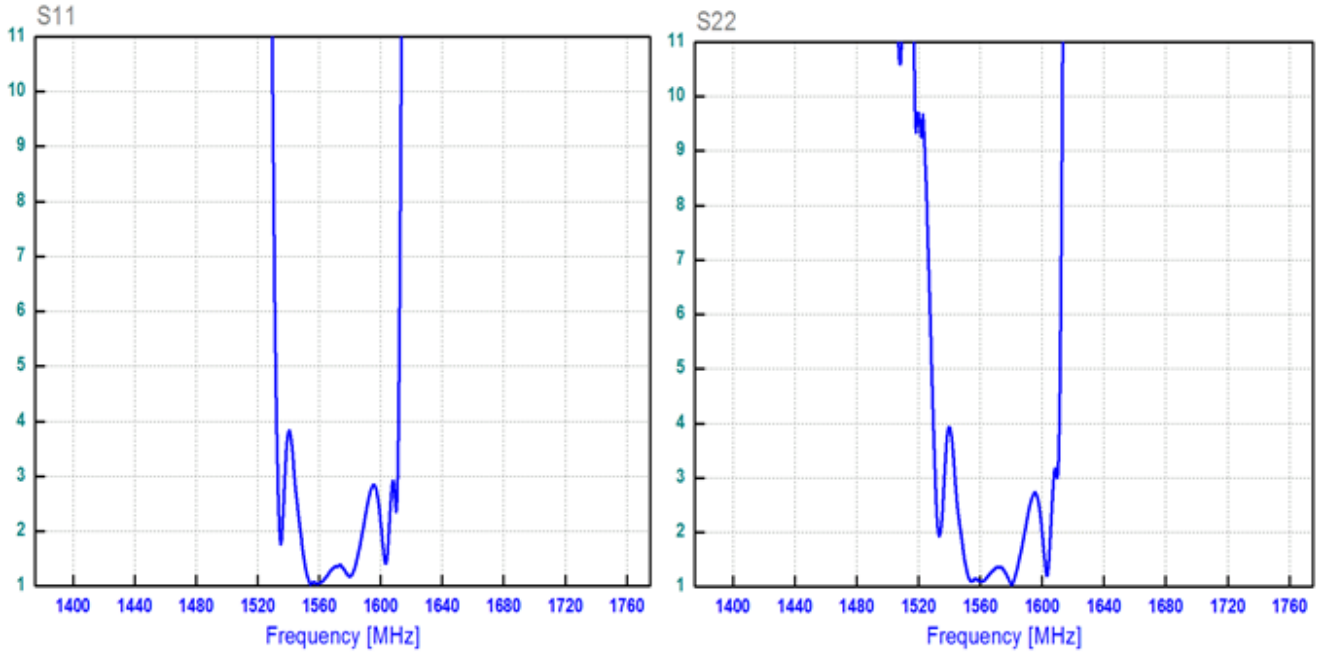
## Testing Environment



## Frequency Characteristics



## VSWR



## Smith Chart

