

- Wireless, RF SAW Filter
- Revision 0: July 2010

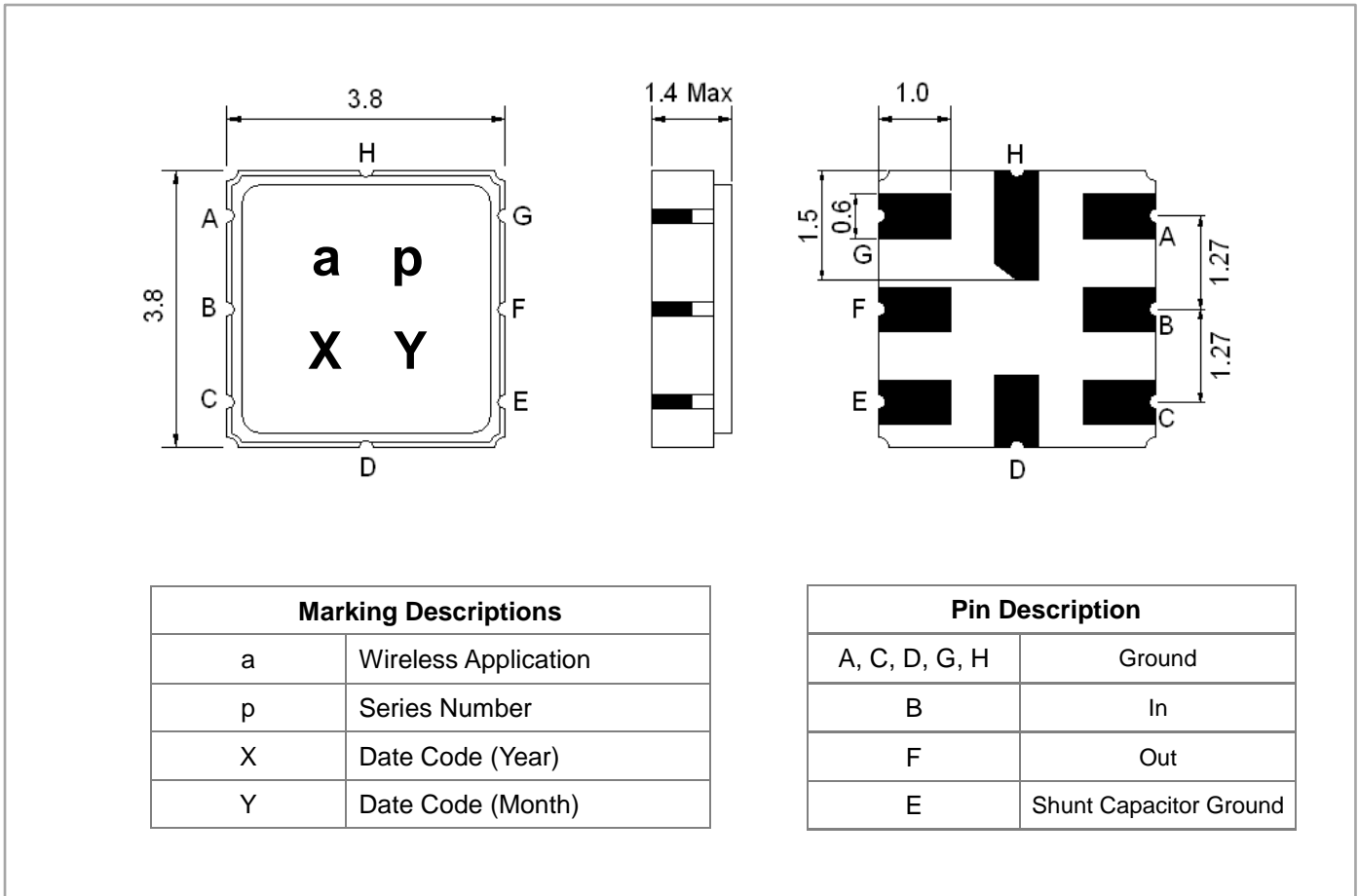
Electrical Characteristics

MAXIMUM RATING				
PARAMETERS DESCRIPTION	UNIT	MINIMUM	TYPICAL	MAXIMUM
Operating Temperature Range	°C	-40	-	+85
Storage Temperature Range	°C	-40	-	+85
Maximum DC Voltage	V	-	-	-
Maximum Input Power	dBm	-	-	10
Source Impedance (single ended) ⁽¹⁾	Ω	-	50	-
Load Impedance (single ended) ⁽¹⁾	Ω	-	50	-
Package type & size	P1			
Length x Width	mm ²	-	3.8 x 3.8	-
Height	mm	-	-	1.4

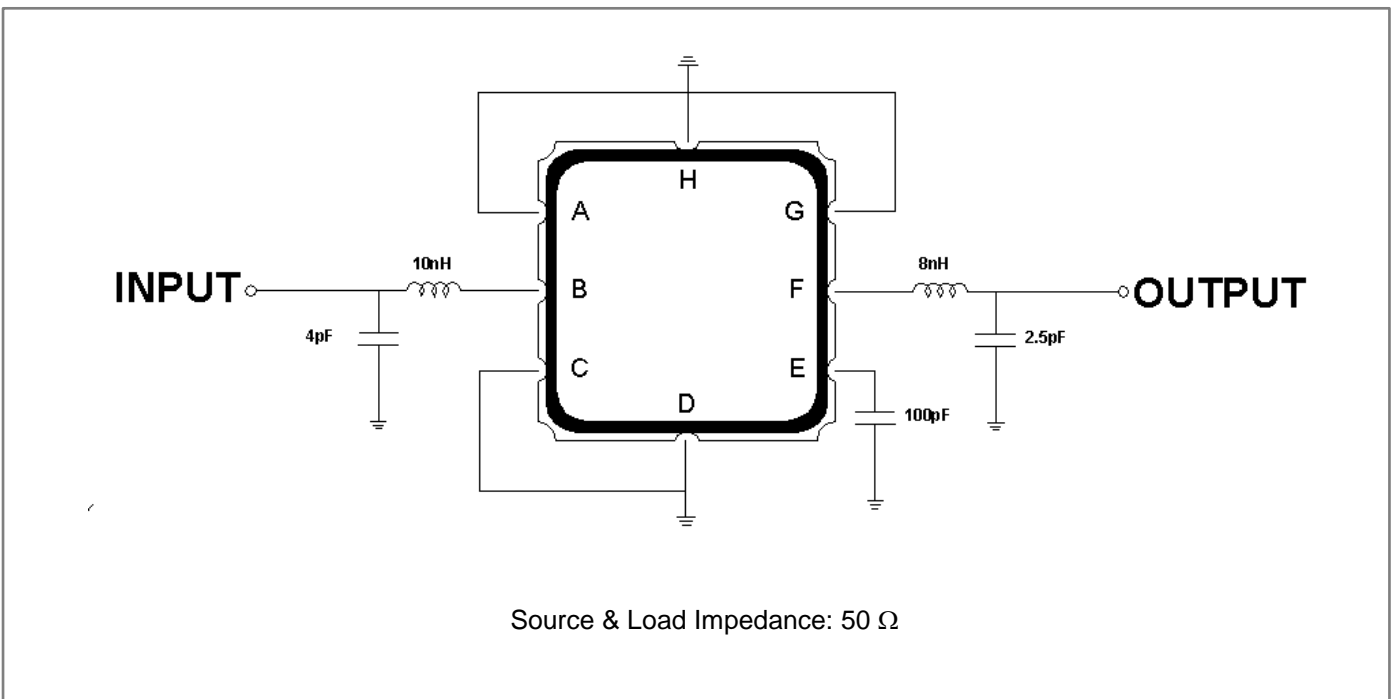
ELECTRICAL SPECIFICATION				
PARAMETERS DESCRIPTION	UNIT	MINIMUM	TYPICAL	MAXIMUM
Center Frequency (Fo)	MHz	-	1191.8	-
Insertion Loss within 1164.3 ~ 1219.3 MHz	dB	-	2.5	4.0
Amplitude Ripple within 1164.3 ~ 1219.3 MHz	dB _{p-p}	-	0.8	2.0
Group Delay Variation within 1164.3 ~ 1219.3 MHz	ns _{p-p}	-	21	40
Attenuation:				
900.0 ~ 1040.0 MHz	dB	20	23	-
1040.0 ~ 1126.0 MHz	dB	20	22	-
1256.0 ~ 1345.0 MHz	dB	15	21	-
1345.0 ~ 1500.0 MHz	dB	15	20	-

Notes: (1) With Matching Network

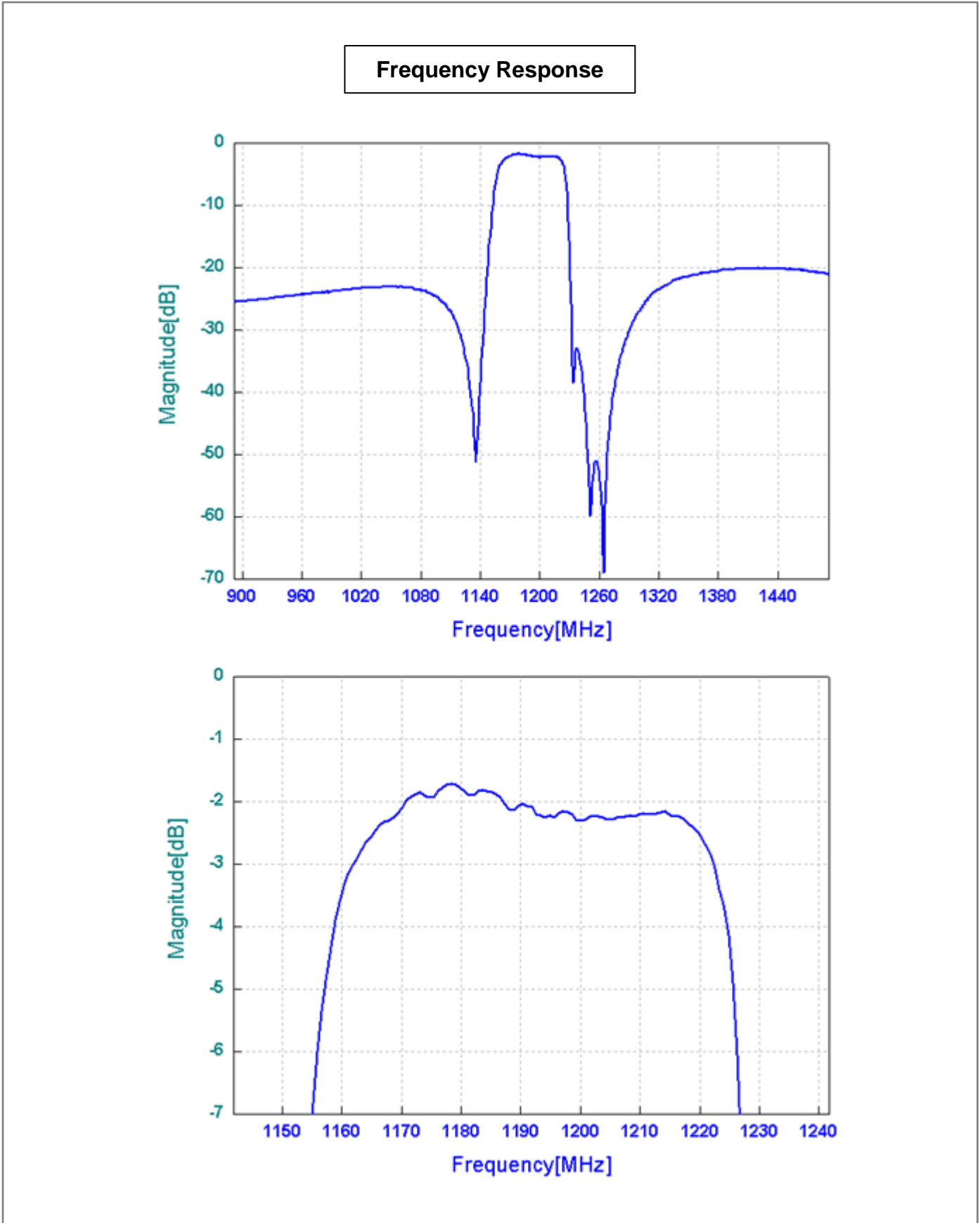
Package Dimensions



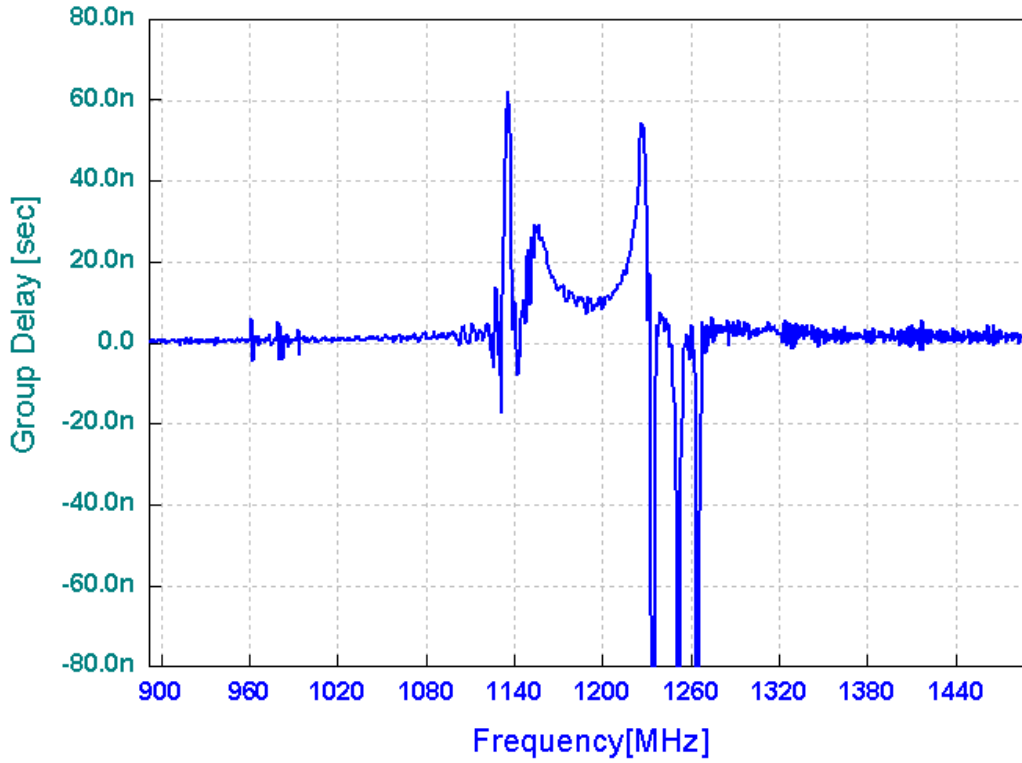
Testing Environment



Frequency Characteristics



Group Delay



Smith Chart

