

- 71.00 MHz IF SAW Filter / 95.00 kHz Bandwidth
- Revision 0: 08 Nov. 2011

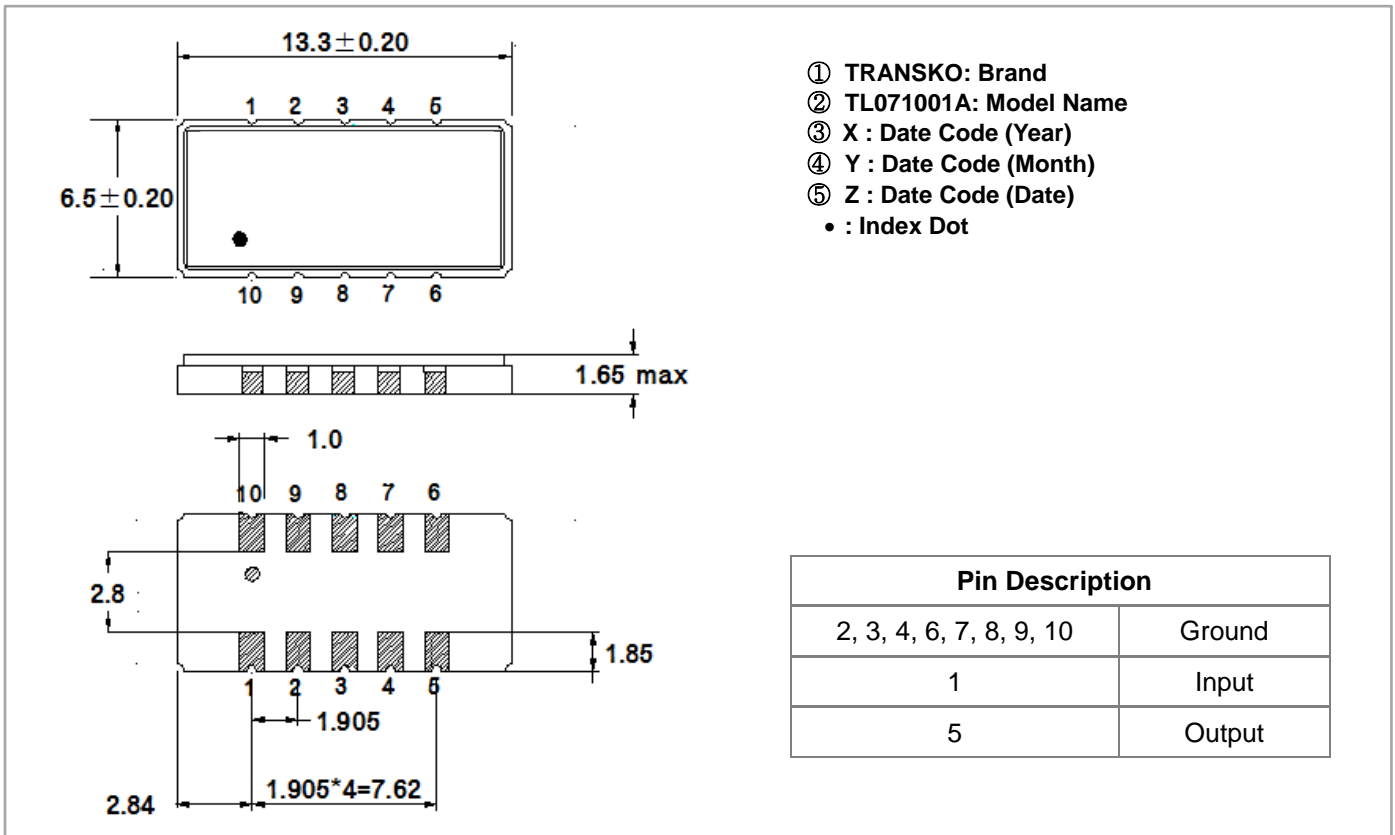
Electrical Characteristics

MAXIMUM RATING				
PARAMETERS DESCRIPTION	UNIT	MINIMUM	TYPICAL	MAXIMUM
Operating Temperature Range	°C	-20	-	80
Storage Temperature Range	°C	-40	-	85
Maximum DC Voltage	V	-	-	-
Maximum Input Power	dBm	-	-	10
Source Impedance (single ended) ⁽¹⁾	Ω	-	50	-
Load Impedance (single ended) ⁽¹⁾	Ω	-	50	-
Package type & size	V1			
Length x Width	mm ²	-	13.3 x 6.5	-
Height	mm	-	-	1.65

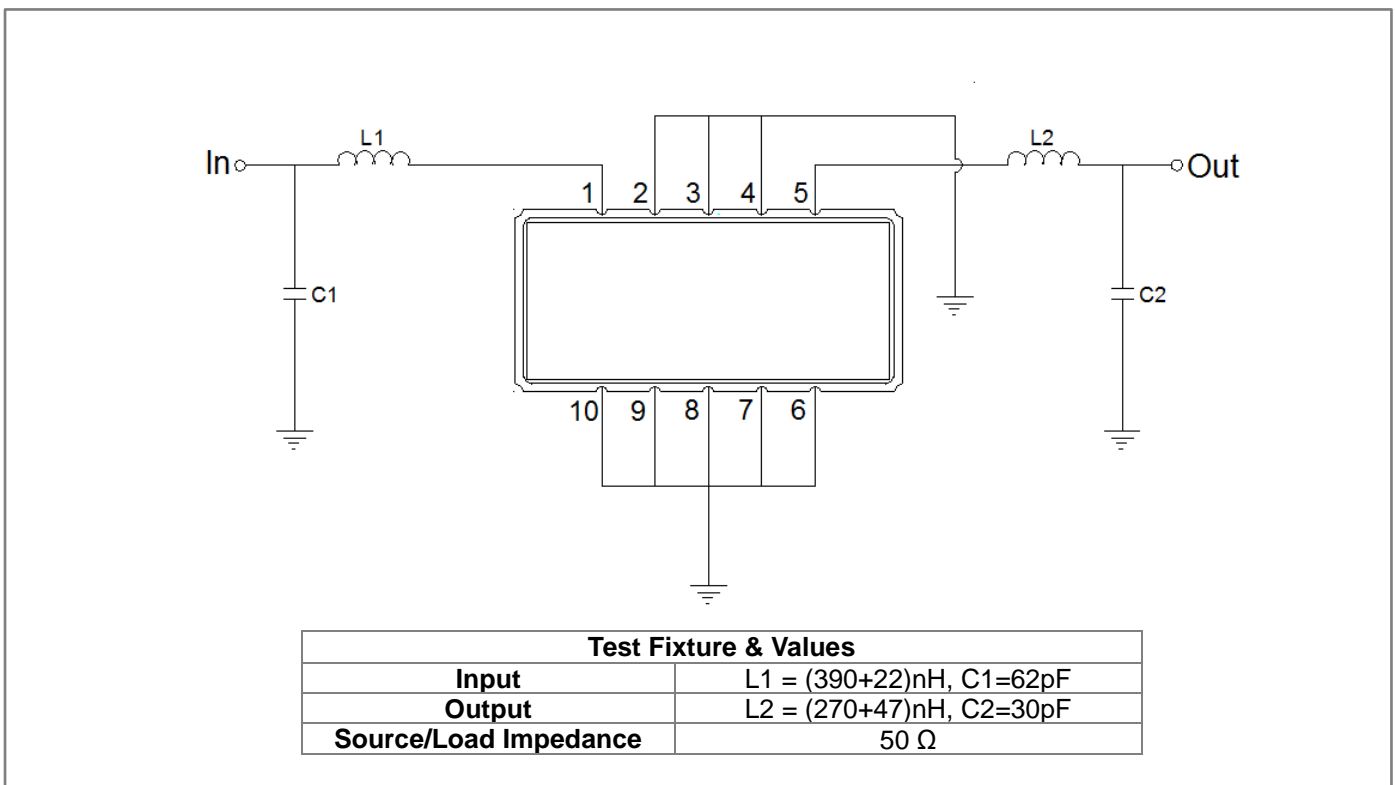
ELECTRICAL SPECIFICATION				
PARAMETERS DESCRIPTION	UNIT	MINIMUM	TYPICAL	MAXIMUM
Center Frequency (Fo)	MHz	-	71.00	-
Insertion Loss at Fo	dB	-	6.5	8.5
Group Delay Variation at Fo ± 50 KHz	nsec	-	655	1500
Absolute Delay at Fo	usec	-	2.94	-
Passband Ripple Variation at Fo ± 50 KHz	dB	-	1.2	2.0
Bandwidth at -1dB	MHz	-	0.95	-
Bandwidth at -2dB	MHz	-	0.128	-
Bandwidth at -3dB	MHz	-	0.153	-
Bandwidth at -7dB	MHz	-	0.259	-
Bandwidth at -35dB	MHz	-	0.603	-
Ultimate Rejection				
Fo ± 300 KHz ~ Fo ± 500 KHz	dB	15	30	-
Fo ± 500 KHz ~ Fo ± 700 KHz	dB	27	30	-
Fo ± 700 KHz ~ Fo ± 3 MHz	dB	37	43	-
Fo ± 800 KHz	dB	37	43	-
Fo ± 3 MHz ~ Fo ± 35 MHz	dB	45	52	-
Temperature Coefficient	ppm/°C	-	-0.036	-

Notes : (1) With Matching Network (Ref. Testing Environment Circuit as shown below).
Those impedances could be modified with different impedance values and/or structures, if necessary.

Package Dimensions



Testing Environment

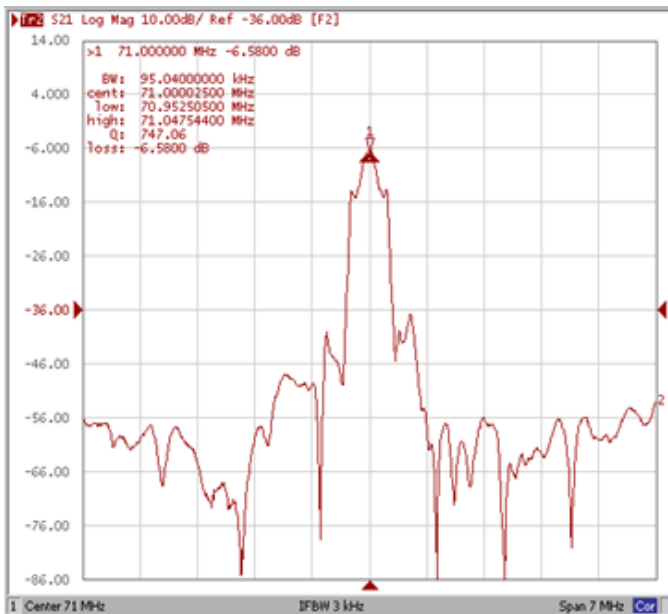


Frequency Characteristics

Frequency Response

Operating Temperature : +25 °C

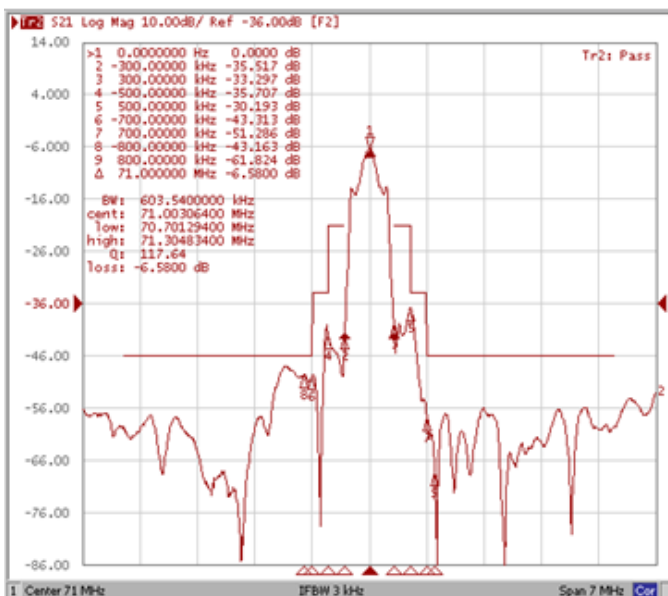
Bandwidth at -1.0 dB



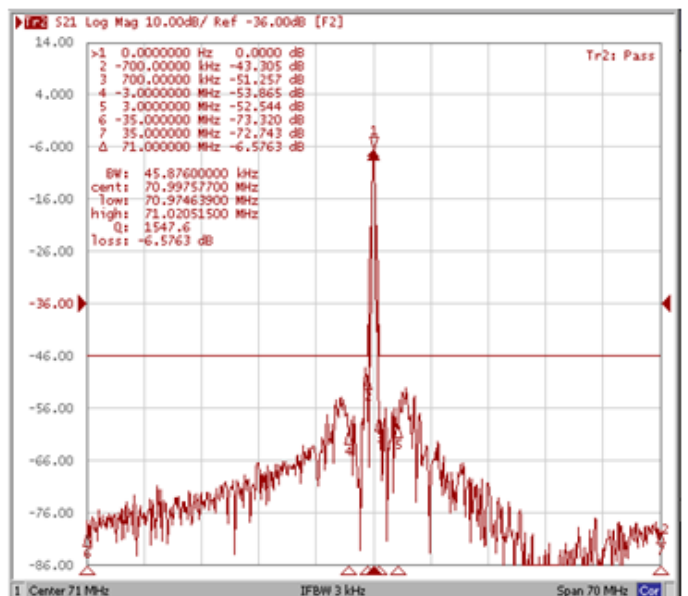
Bandwidth at -3.0 dB



Bandwidth at -35.0 dB



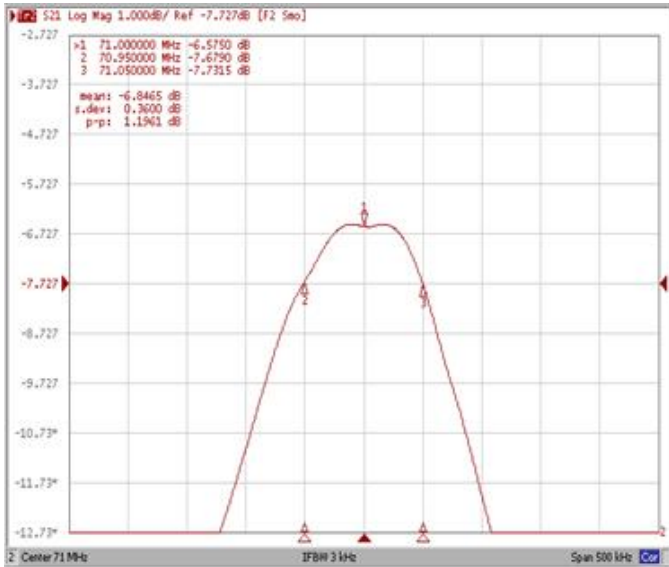
Wide-Band



Frequency Response

Ripple Variation Fo±50kHz

Group Delay Variation Fo±50kHz



Smith Chart

VSWR

