

- SAW Duplexer For 751MHz / 782MHz
- Revision 0: November 2009

Electrical Characteristics

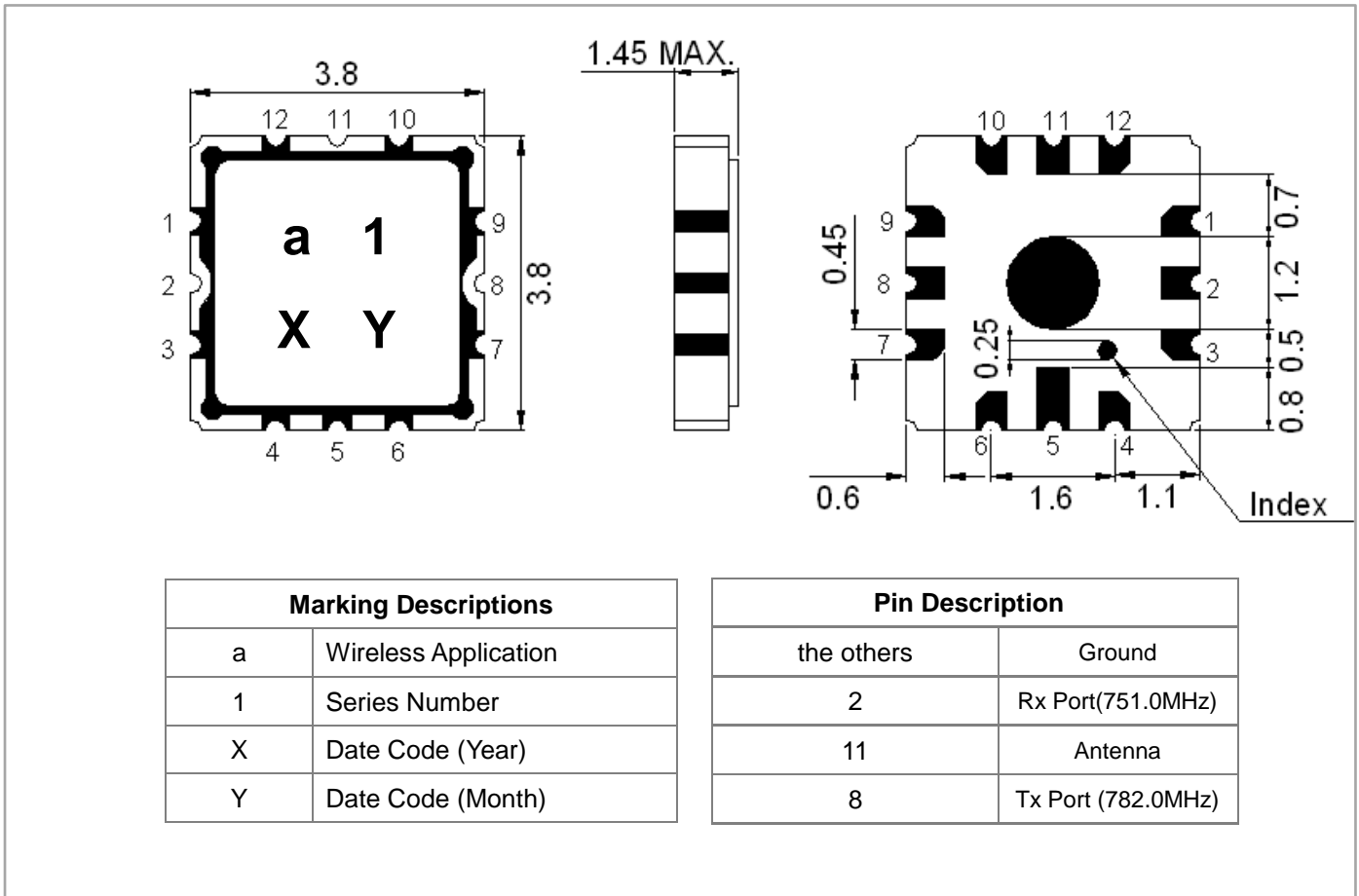
MAXIMUM RATING				
PARAMETERS DESCRIPTION	UNIT	MINIMUM	TYPICAL	MAXIMUM
Operation Temperature Range	°C	0	-	+50
Storage Temperature Range	°C	-40	-	+85
Maximum DC Voltage	V	-	0	-
Tx Band Input Power Level within 777~ 787 MHz	dBm	30dBm > 50000 Hours, CW tone(Ta=+50°C)		
Ant. Tx. Rx Terminating Impedance	Ω	-	50	-
Package type	P3			
Length x Width	mm ²	-	3.8 x 3.8	-
Height	mm	-	-	1.45

ELECTRICAL SPECIFICATION					
PARAMETERS	CONDITION [MHZ]	UNIT	MINIMUM	TYPICAL	MAXIMUM
Tx_782.0MHz		Specifications			
Insertion Loss	777.0 ~ 787.0	dB	-	1.8	2.5
Bandwidth	777.0 ~ 787.0	MHz	10	22	-
Ripple	777.0 ~ 787.0	dB _{p-p}	-	0.5	1.2
Return Loss	777.0 ~ 787.0	dB	9	11	-
Absolute Attenuation	746.0 ~ 756.0	dB	45	49	-
	946.0 ~ 956.0	dB	40	45	-
	1114.0 ~ 1124.0	dB	45	51	-
	1554.0 ~ 1564.0	dB	40	48	-
	2331.0 ~ 2341.0	dB	30	40	-

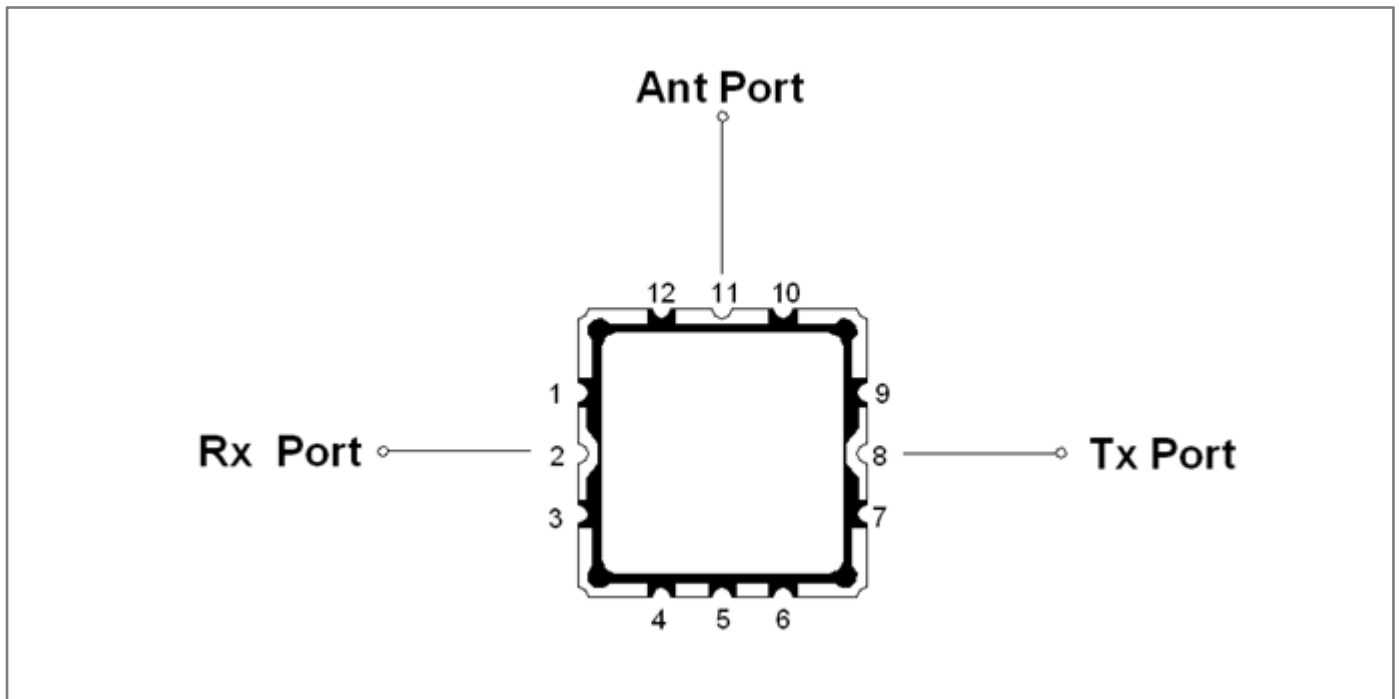
Rx_751.0MHz		Specifications			
Insertion Loss	746.0 ~ 756.0	dB	-	1.4	2.5
Bandwidth	746.0 ~ 756.0	MHz	10	21	-
Ripple	746.0 ~ 756.0	dB _{p-p}	-	0.4	1.2
Return Loss	746.0 ~ 756.0	dB	9.5	11	-
Absolute Attenuation	D.C. ~ 710.0	dB	35	41	-
	788.0 ~ 1000.0	dB	35	43	-
	1000.0 ~ 2000.0	dB	35	41	-
	2000.0 ~ 3000.0	dB	10	34	-
	777.0 ~ 787.0	dB	50	59	-
	676.0 ~ 686.0	dB	35	42	-
	606.0 ~ 616.0	dB	35	41	-
	869.0 ~ 894.0	dB	35	44	-
Rx → Tx		Specifications			
Isolation	D.C. ~ 746.0	dB	45	57	-
	777.0 ~ 787.0	dB	50	61	-
	746.0 ~ 756.0	dB	48	50	-
	787.0 ~ 1000.0	dB	40	50	-
	1000.0 ~ 2000.0	dB	35	45	-
	2000.0 ~ 3000.0	dB	10	35	-

***Note :** Including losses due to Test PCB(0.3dB)

Package Dimensions

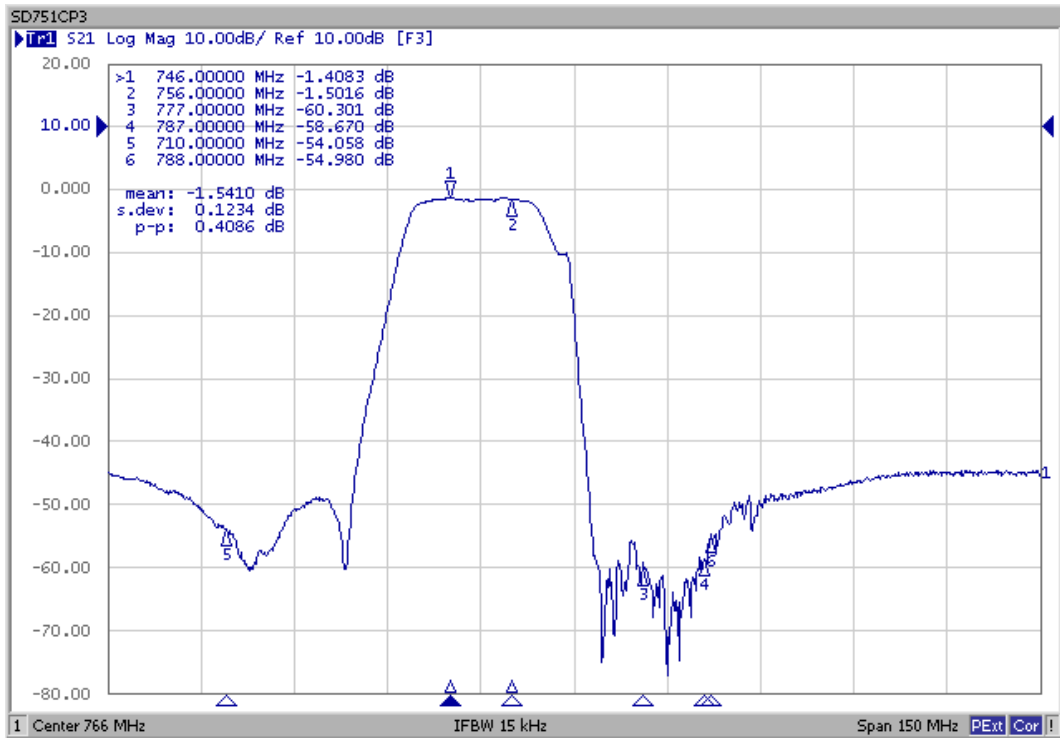


Testing Environment



Frequency Characteristics

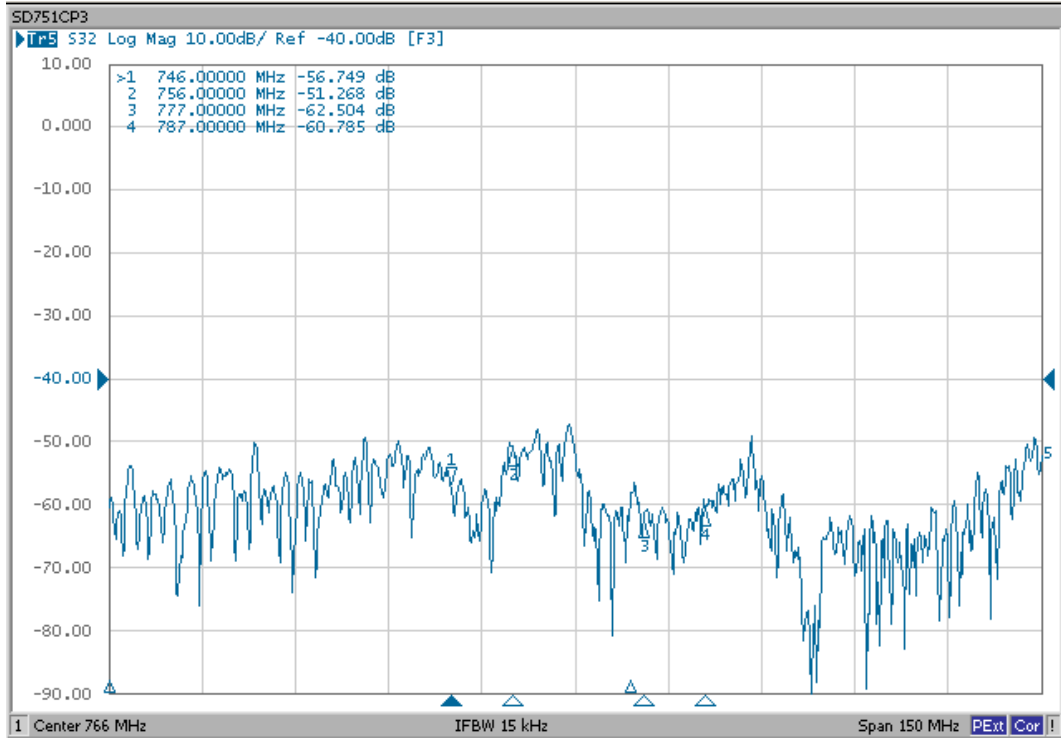
Tx Characteristic



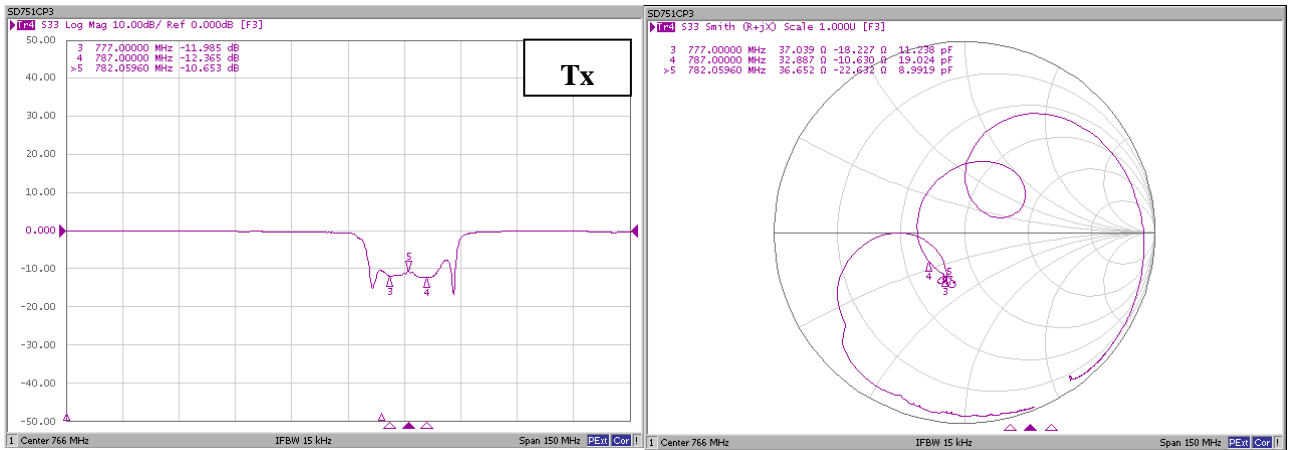
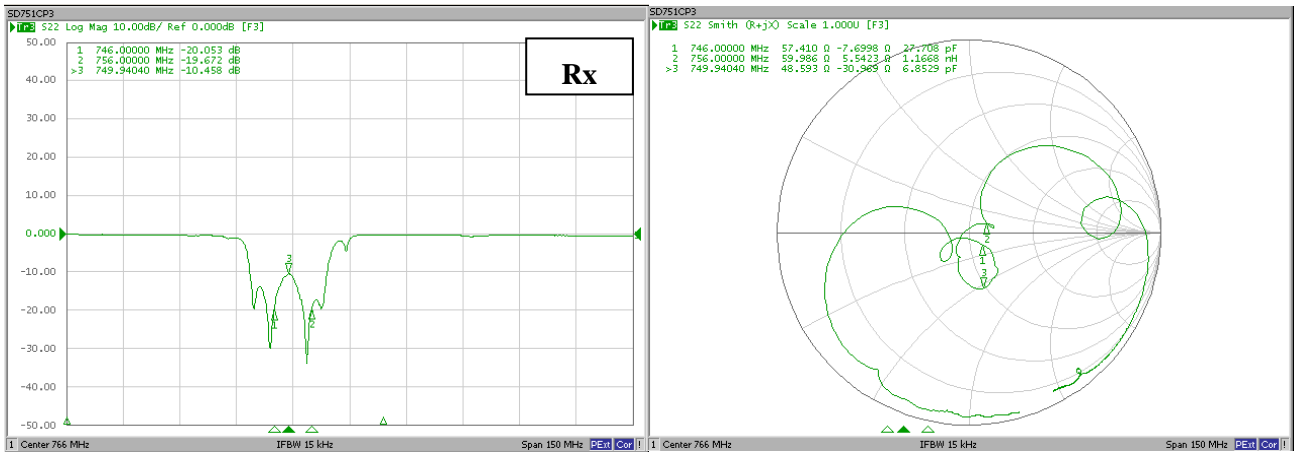
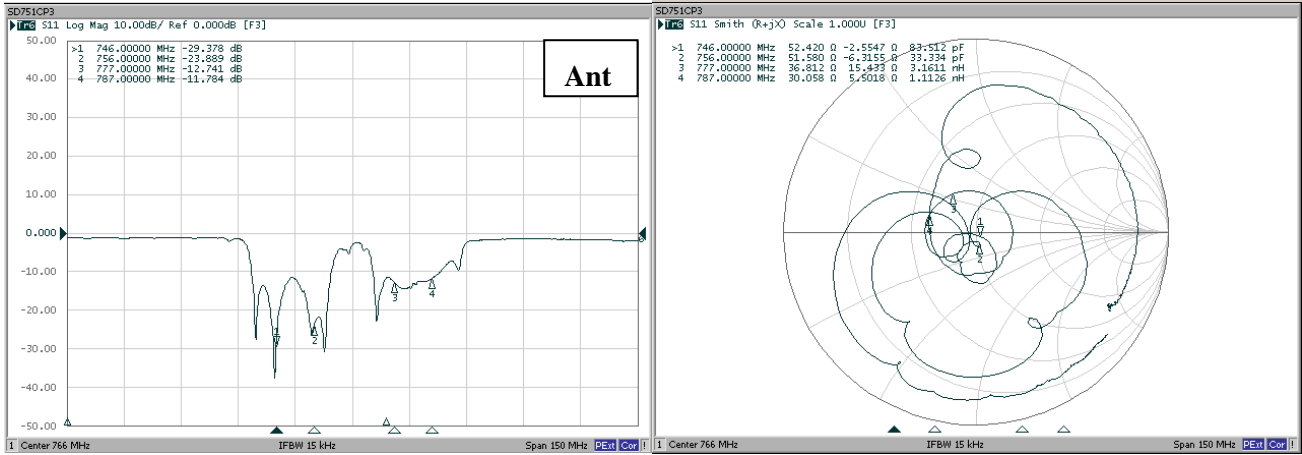
Rx Characteristic



Isolation Characteristic



Return Loss & Smith Chart Characteristic



Wide Span Characteristic

