

- SAW Duplexer For 1775.0MHz / 1867.5MHz
- Revision 0: May 2011

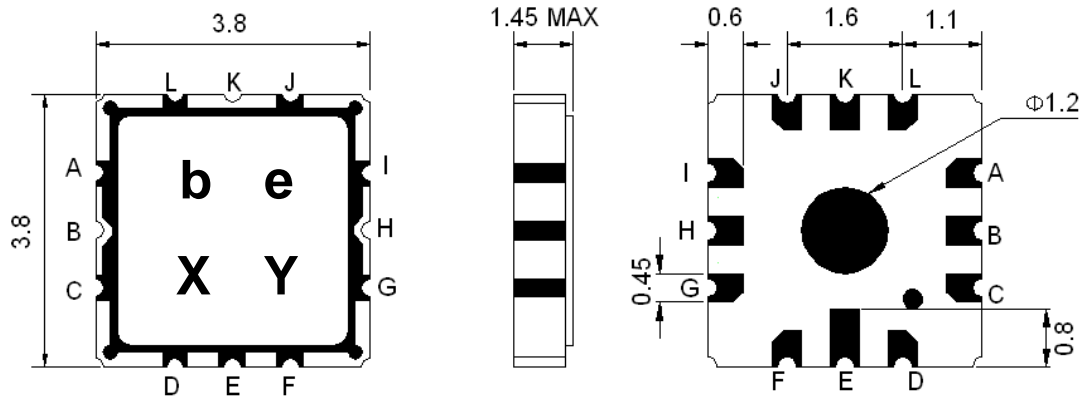
## Electrical Characteristics

MAXIMUM RATING				
PARAMETERS DESCRIPTION	UNIT	MINIMUM	TYPICAL	MAXIMUM
Operating Temperature Range	°C	-30	-	+80
Storage Temperature Range	°C	-40	-	+85
Maximum DC Voltage	V	-	0	-
Maximum Input Power	dBm	28dBm > 50,000 Hours, CW tone(Ta= +50°C)		
Input Impedance	Ω	-	50	-
Output Impedance	Ω	-	50	-
Package type & size	PB			
Length x Width	mm <sup>2</sup>	-	3.8 x 3.8	-
Height	mm	-	-	1.45

ELECTRICAL SPECIFICATION					
PARAMETERS	CONDITION [MHZ]	UNIT	MINIMUM	TYPICAL	MAXIMUM
<b>Tx → Ant</b>		<b>Specifications</b>			
Insertion Loss	1770.0 ~ 1780.0	dB	-	1.7	3.0
Amplitude Ripple	1770.0 ~ 1780.0	dB <sub>p-p</sub>	-	0.2	1.0
VSWR	1770.0 ~ 1780.0	-	-	1.4	2.0
Absolute Attenuation	1860.0 ~ 1875.0	dB	40	48	-
<b>Ant → Rx</b>		<b>Specifications</b>			
Insertion Loss	1860.0 ~ 1875.0	dB	-	2.0	3.2
Amplitude Imbalance	1860.0 ~ 1875.0	dB <sub>p-p</sub>	-	0.4	1.0
VSWR	1860.0 ~ 1875.0	-	-	1.3	2.0
Absolute Attenuation	1770.0 ~ 1780.0	dB	40	45	-
<b>Rx → Tx</b>		<b>Specifications</b>			
Isolation	1770.0 ~ 1780.0	dB	40	48	-
	1860.0 ~ 1875.0	dB	40	51	-

**Notes :** (1) With Matching Network .

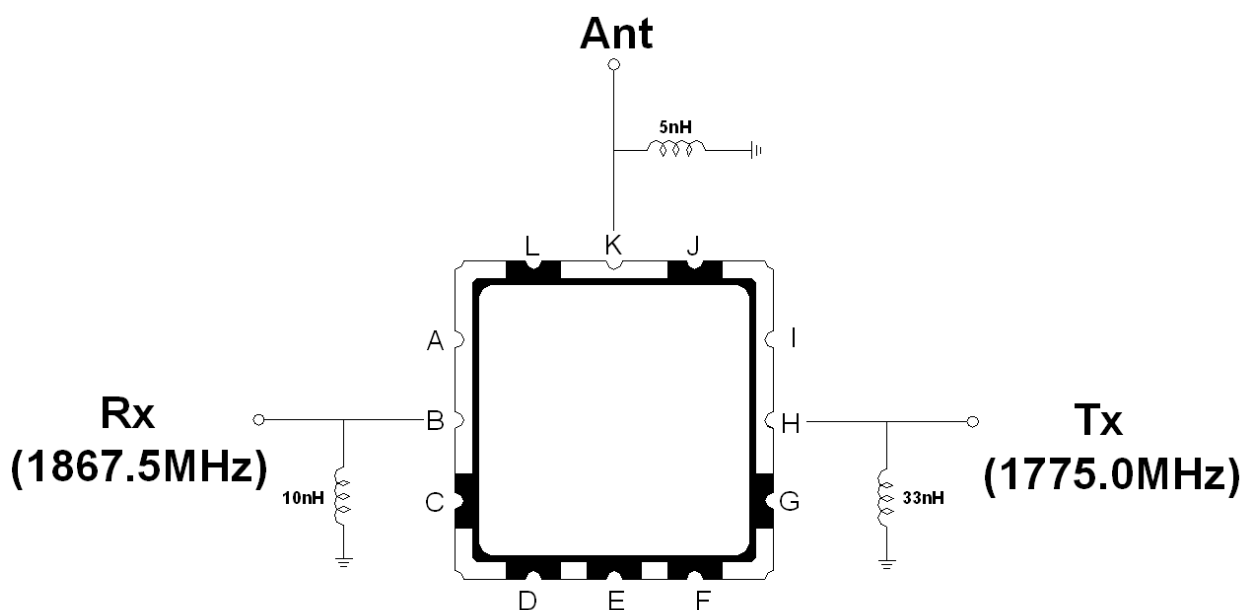
## Package Dimensions



Marking Descriptions	
b	Wireless Application
e	Series Number
X	Date Code (Year)
Y	Date Code (Month)

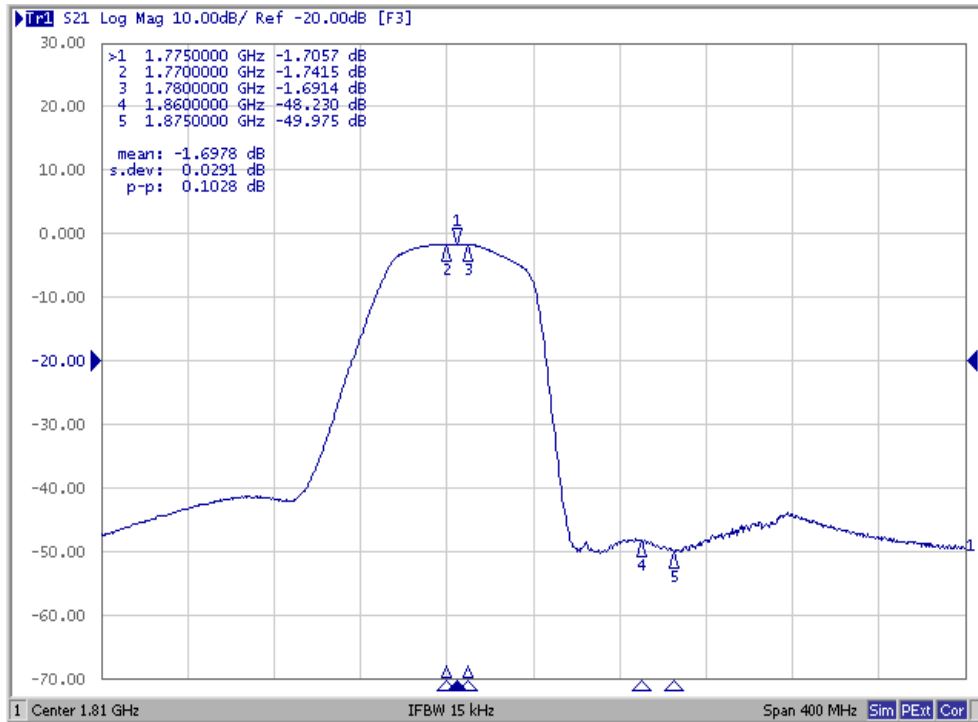
Pin Description	
A, C, D, E, F, G, I, J, L	Ground
K	Ant
B	Rx (1867.5MHz)
H	Tx (1775.0 MHz)

## Testing Environment

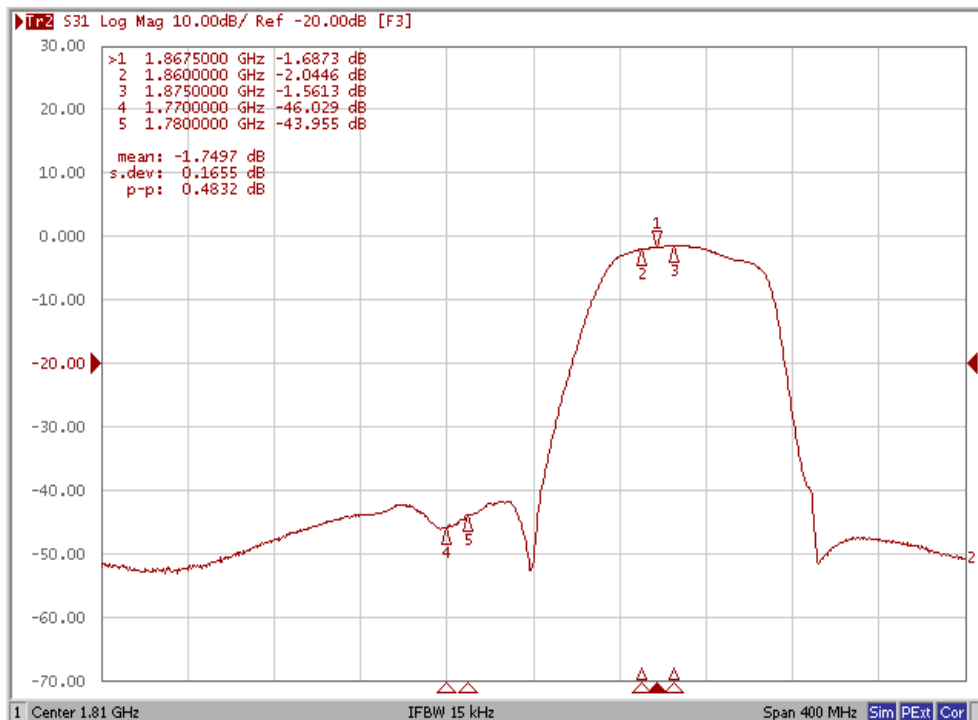


## Frequency Characteristics

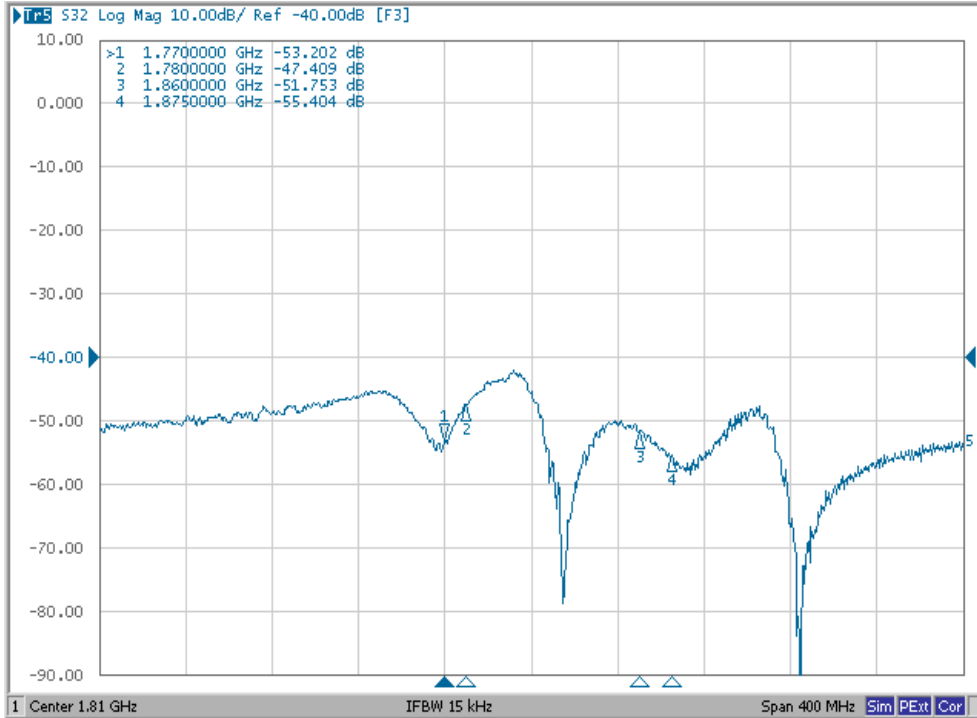
**Tx to Ant**



**Ant to Rx**

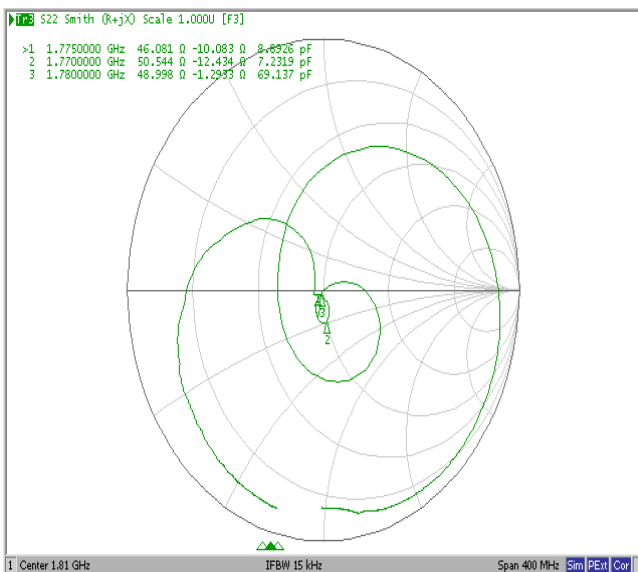


**Isolation**

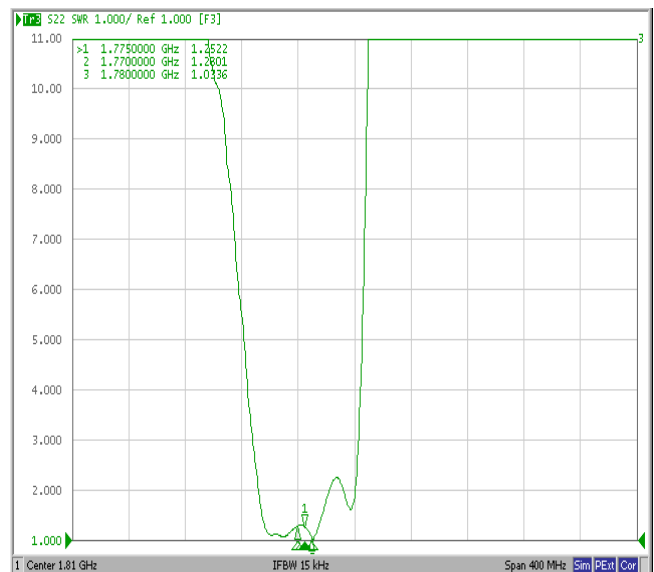


**Tx Part**

**Smith Chart**

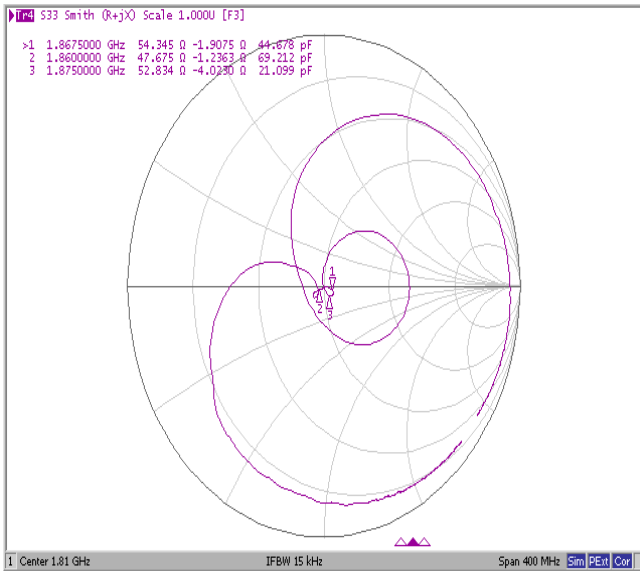


**VSWR**

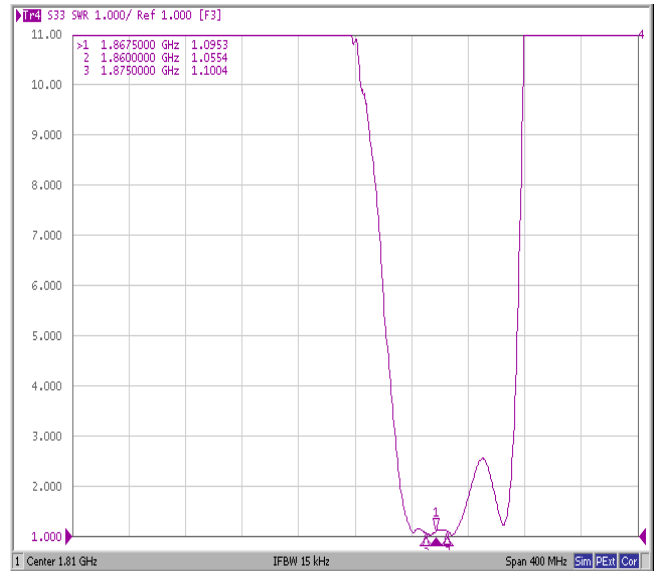


**Rx Part**

**Smith Chart**

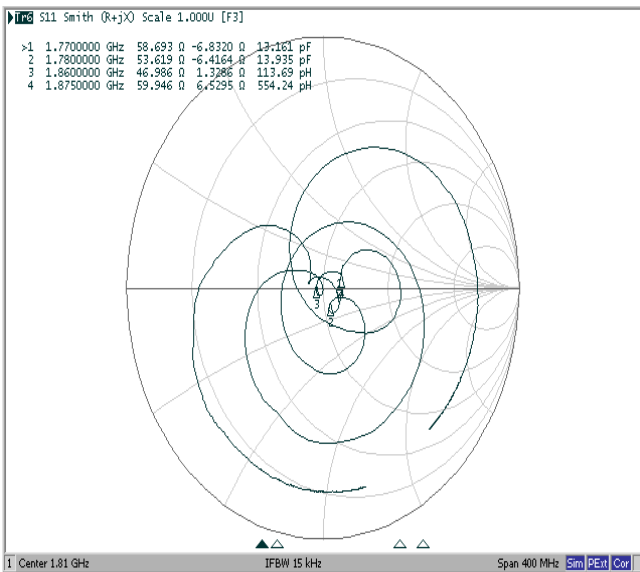


**VSWR**



**Antenna**

**Smith Chart**



**VSWR**

